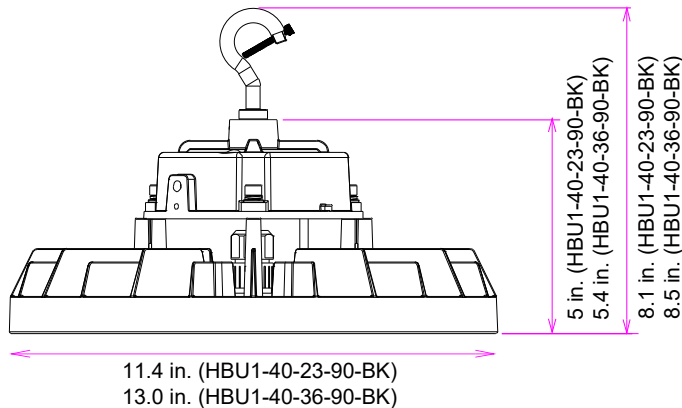


INSTRUCTIONS

LED Highbay Models:
 HB1-40-23-90-BK
 HB1-40-36-90-BK

Dimensions



Safety Instructions

- READ CAREFULLY BEFORE INSTALLING FIXTURE.
- PLEASE KEEP THIS MANUAL FOR FUTURE REFERENCE.
- FIXTURES MUST BE WIRED IN ACCORDANCE WITH THE NATIONAL ELECTRICAL CODE AND ALL APPLICABLE LOCAL CODES.
- PROPER GROUNDING IS REQUIRED FOR SAFETY.
- THIS FIXTURE MUST BE INSTALLED BY A QUALIFIED ELECTRICIAN.
- MAKE CERTAIN POWER IS OFF AT THE CIRCUIT BREAKER BEFORE INSTALLING OR MAINTAINING FIXTURE.
- ENSURE THAT AC VOLTAGE IS COMPATIBLE WITH FIXTURE.
- ONLY USE UL APPROVED ELECTRICAL CONNECTORS.
- ONLY USE MOUNTING HARDWARE THAT IS RATED FOR THE WEIGHT AND LOCATION OF THE FIXTURE.

Wiring Diagram

FIGURE 1: Universal voltage driver 120V-277V, 50/60Hz. (or 347-480V*)
 FIGURE 2: Universal voltage driver 120V-277V, 50/60Hz. (or 347-480V*); with dimming motion sensor MC054 (motion sensor is ordered separately).

*Optional 347-480V, 50/60Hz driver also available. Check fixture label to confirm.

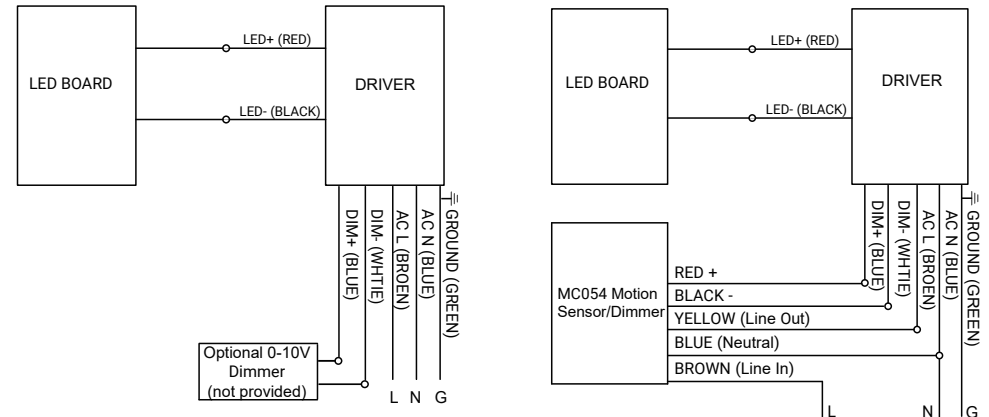


Figure 1

Figure 2

Basic Specifications

HB1-40-23-90-BK

150 watts, 22,500 lumens; 4,000K; 80CRI

HB1-40-36-90-BK

240 watts; 36,000 lumens; 4,000K; 80CRI

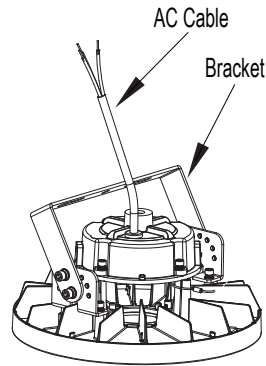
Maintenance Precautions

1. Review the below diagrams before beginning, and make sure the fixture is grounded properly.
2. For lighting controls, wire correctly and use functions correctly.
3. Turn the power off and wait for the fixture to cool before handling.
4. Maintenance must be done by professionals.
5. Read Safety Instructions in this document prior to maintenance.

CAUTION: To prevent serious injury or death, the fixture must be supported securely at the ceiling. Only use mounting hardware appropriate for your ceiling type and the weight of the fixture. Consult an architect or engineer if unsure.

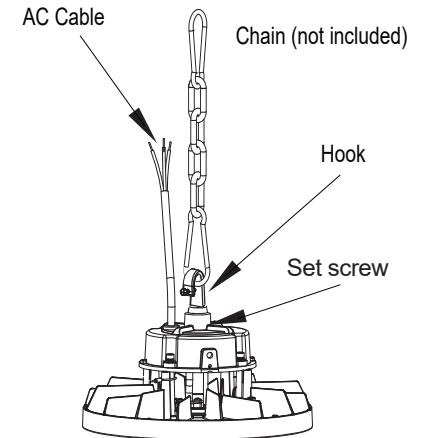
Surface Mounting - With Optional Bracket

1. Locate and drill installation holes using the fixture bracket as a guide. Make sure to use mounting hardware appropriate for the weight of the fixture and your specific ceiling type.
2. Using mounting hardware, affix fixture bracket to the ceiling.
3. If attached, remove hook from fixture.
4. Attache bracket to fixture and make sure these screws are tight. Side screws on the bracket can also be used to adjust the fixture's angle (screws are M10 size).
5. Connect the AC wire (and dimming wires if needed) according to the wiring diagram and safety instructions found in this document.



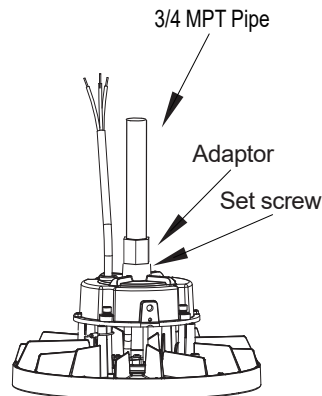
Pendant Mounting - With User Provided Chain

1. Ensure the hook is firmly installed into the fixture.
2. Unscrew the hook's safety pin just enough to insert the chain. Then place the last chain link within the hook. (Use only chains rated for the fixture weight).
3. Insert and firmly tighten the hook's safety pin.
4. Connect the AC wire (and dimming wires if needed) according to the wiring diagram and safety instructions found in this document.



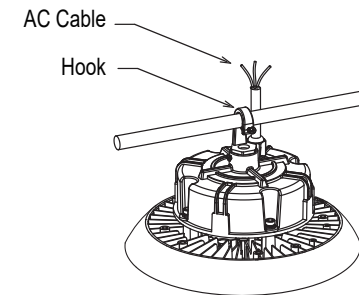
Pendant Mounting - With Optional Adaptor

1. Make sure the ceiling junction box and mounting hardware are appropriate for the weight of the fixture and your specific ceiling type.
2. Attach your 3/4 MPT type pipe to your ceiling junction box (pipe and junction box not provided).
3. If attached, remove hook from fixture.
4. Firmly attach Pipe Adaptor to fixture.
5. Firmly attach the pipe to the Pipe Adaptor and then secure the adaptor's set screw.
6. Connect the AC wire (and dimming wires if needed) according to the wiring diagram and safety instructions found in this document.



Mounting - With Supplied Hook

1. Ensure the hook is firmly installed into the fixture.
2. Unscrew the safety pin on hook and then hook fixture over pipe or other secure opening.
3. Insert and firmly tighten the hook's safety pin.
4. Connect the AC wire (and dimming wires if needed) according to the wiring diagram and safety instructions found in this document.



Warranty

LIMITED FIVE-YEAR WARRANTY.

Should this product fail to perform satisfactorily due to a defect or poor workmanship within five years from the date of purchase, return it to the place of purchase to request a review of the claim. Incidental or consequential damages are excluded from the warranty. Full warranty details are available from QuantaLight. For questions please email: sales@quantalight.com

WARNING: A falling fixture can be very dangerous. In all cases, only hang fixture onto objects rated for the fixture weight.