

INSTRUCTION SHEET

Model Numbers: **ML11 / ML12 / ML13 Series Recessed Downlights** (example: ML12-30-20-38-BK L010-1)

Architectural Multi-Head LED Recessed Housings for New Construction applications.



WARNING: Before starting to work with the electrical supply wires, verify that this circuit's power has been disconnected by switching off its Circuit Breaker or removing its fuse from the fuse panel. The use of a wall switch to turn off the circuit is and not sufficient to prevent an electrical shock. The Luminaire must be connected to supply wire rated for 90°C. This product is to be installed by a qualified electrician.

CAUTION: Ceiling insulation must be kept a minimum of 3" away from the sides of the pieces that make up this unit. Insulation is not allowed to contact the top. In addition the unit must maintain a minimum clearance of 1/2" away from all combustible materials such as adjacent wooden ceiling joists and sub-flooring or roofing above. These factors should be taken into consideration when locating this fixture.

CEILING HOLE CUTOUT DIMENSIONS

One Head Housing: 8 7/8" X 8 7/8" Square

Two Head Housing: 8 7/8" X 16" Rectangle

Three Head Housing: 8 7/8" X 23 1/8" Rectangle

BASIC INSTALLATION INSTRUCTIONS

Please Note: These instructions cover new construction installation. There will be slight variations to these instructions depending on ceiling type. Exact look of the recessed downlight luminaire will vary depending on model.

1. Installing Ceiling Frame (aka Rough-in):

Prior to finished ceiling being completed, install frame into ceiling cavity using adjustable Bat-Wing Brackets, supported by 1/2" EMT (supplied by electrician) or Hanger Bars (optional, purchased separately through QuantaLight). Squeeze Bat-Wing brackets to insert EMT/Hanger Bars through the cutouts on both ends of the brackets. Depending on the Hanger Bar style chosen do one of the following: Rest EMT/Hanger Bars on top of T-bar supports of ceiling system (C-Channel Hanger Bars are notched to insert over T-bar). Secure C-Channel by bending very end inwards to clamp T-Bar. Secure EMT tightly by using 12AWG wire through holes in T-bar and twisting wire. For Wood Joist style hanger bar, nail hanger bar onto wood joist.

2. Height Adjustment:

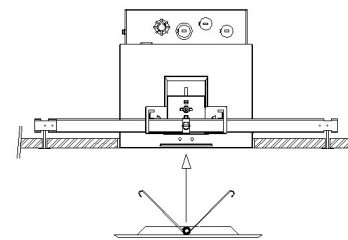
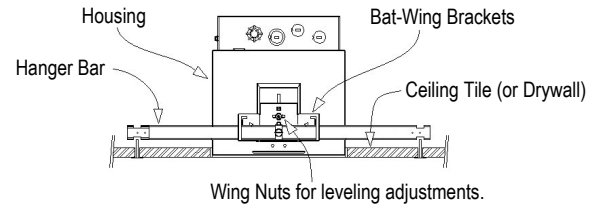
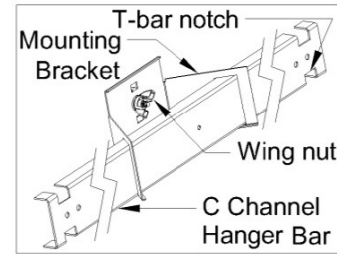
Make fine leveling adjustments by moving the position of both Bat-Wing Brackets. To do this loosen the Wing Nuts and adjust the level of the bottom edge of adapter ring so it is flush with the finished side of ceiling. Tighten Wing-Nuts when done.

3. Wiring:

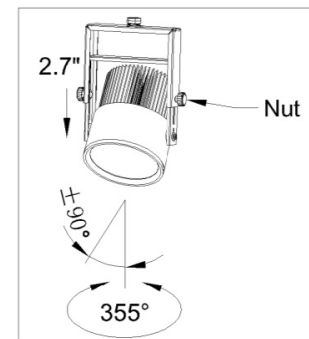
See Specification Sheet related to this product for wattage ratings. Open the junction box and make electrical connections as needed per the wiring diagram and in accordance with local codes or N.E.C. Use an appropriate method suitable for the size, type, and number of wires at each connection. Remove a knockout from the edge of the junction box and attach a strain relief to the supply conduit/cable. Ground the luminaire in the junction box using green wire provided. Connect Common (white) and Hot (black) leads. The use of the dimming leads is optional (read below). If not using low-voltage dimming, cap the leads. When all wiring is completed, carefully push wires into junction box and snap its cover closed.

Dimming

The standard supplied driver may be dimmed through the 120V line by using a LED rated ELV dimmer, or for much better performance by using the low-voltage 0-10V leads (0-10V dimmer required). Other drivers are also available and may have been ordered! If dimming, please look at the driver closely to determine which dimming protocol is being supplied and wire accordingly (common types of non-A/C dimming are 0-10V, DALI and DMX). If not using low-voltage type dimming, cap the leads.



Flanged Trim installs into fixture housing by integral springs.



WIRING SCHEMATIC

USE OF OPTIONAL DIMMING LEADS: The 0-10V dimming protocol (on dimming leads) and ELV dimming (via AC line) come standard with this luminaire. Their use is optional. A different dimming protocol option may have been ordered, so please look at driver to determine proper wiring. The dimming leads cannot be connected to AC line.

