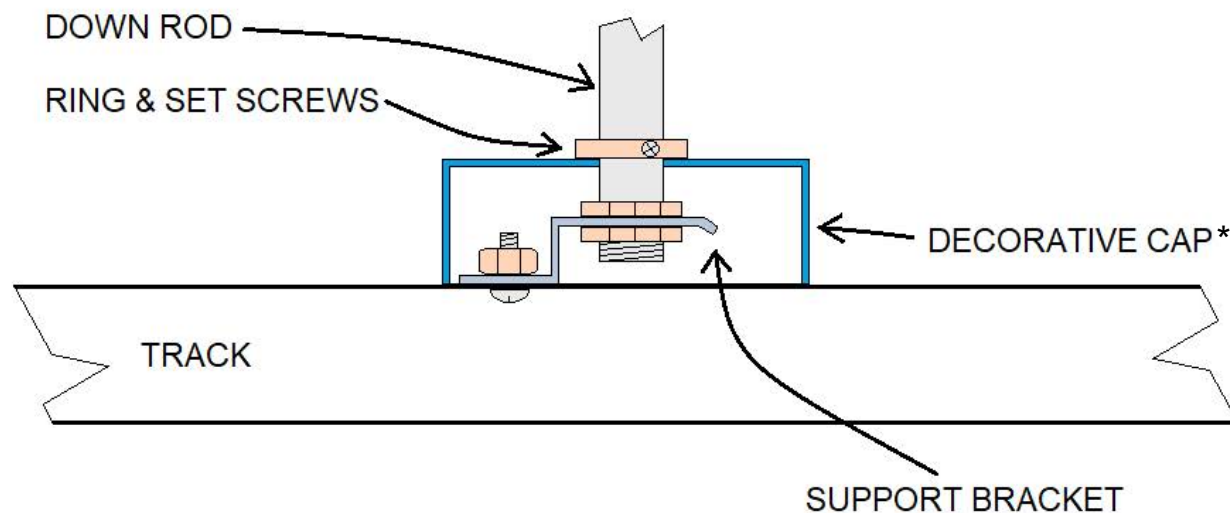


QuantaLight Q18, Q36, & Q48 Pendant Support Kits

INSTRUCTIONS FOR PENDANT SUPPORTS USED ON QUANTALIGHT TSQ1 & TSQ2 TRACK SYSTEMS

READ ALL INSTRUCTIONS ON PAGES 1 & 2 PRIOR TO ATTEMPTING INSTALLATION. TURN OFF CIRCUIT BREAKER AND VERIFY THAT POWER IS OFF.

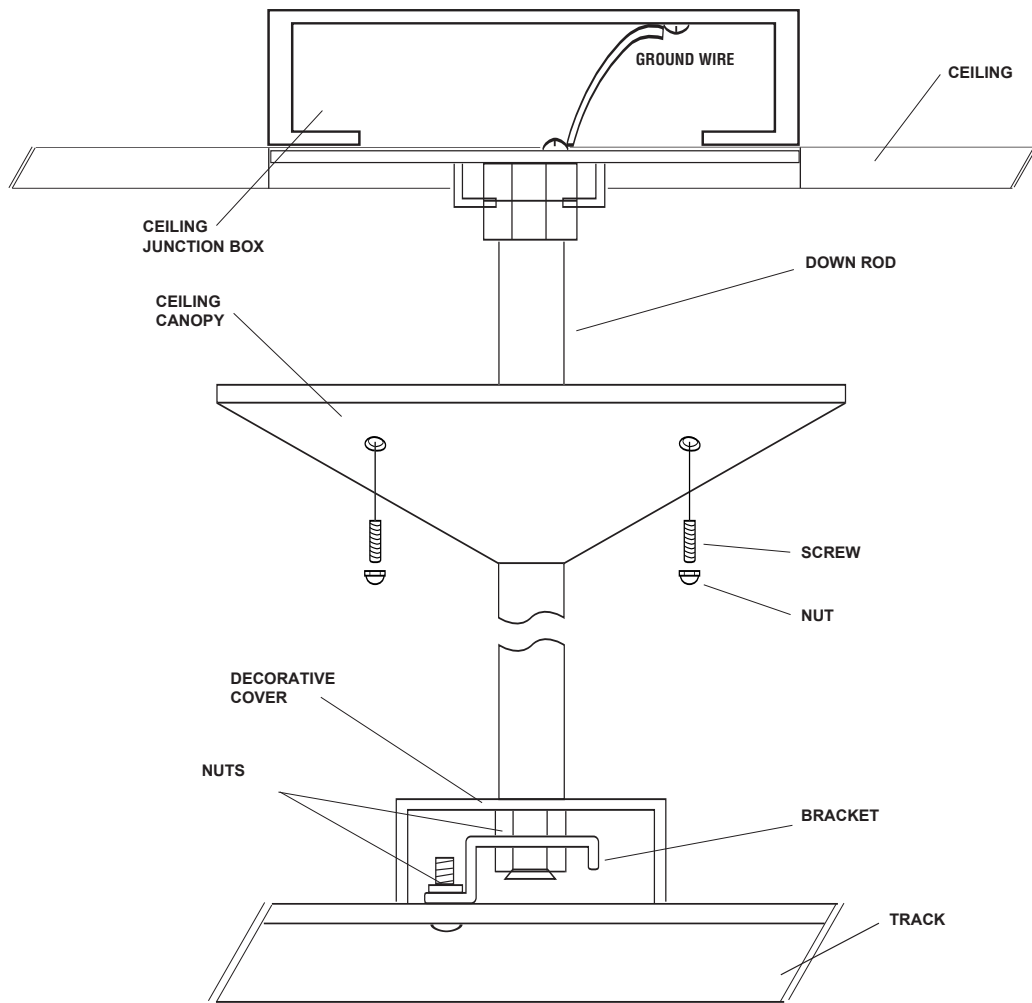
- 1) Carefully open box and locate the small bag containing the hardware.
- 2) Locate the pre-drilled holes in track. (Or if needed, using the existing holes as a guide, drill one or more small holes where the track supports are to be mounted onto the track. The holes should be centered and sized just big enough to fit the small included bolt.)
- 3) Insert the supplied small bolt through hole on the inside of the track, as shown in diagram below, and then mount the metal support bracket using the matching supplied nut. Tighten securely.
- 4) Remove both large down rod nuts and then slide the "ring" over the end of the down rod. Finally, slide the decorative cap over the down rod.
- 5) While keeping the cap and ring on the rod, screw one of the large nuts back onto the down rod. Screw it all the way up until it stops, and then hand tighten with fingers.
- 6) Now screw the second large nut over the end of the down rod, but leave a gap and do not tighten yet.
- 7) Slide the support bracket between the gap of the two large nuts (see diagram below). Tighten large nuts securely to the support bracket.
- 8) Finally, slide decorative cap down and over bracket. Then slide down the ring and tighten the ring's set-screws to secure the cap.



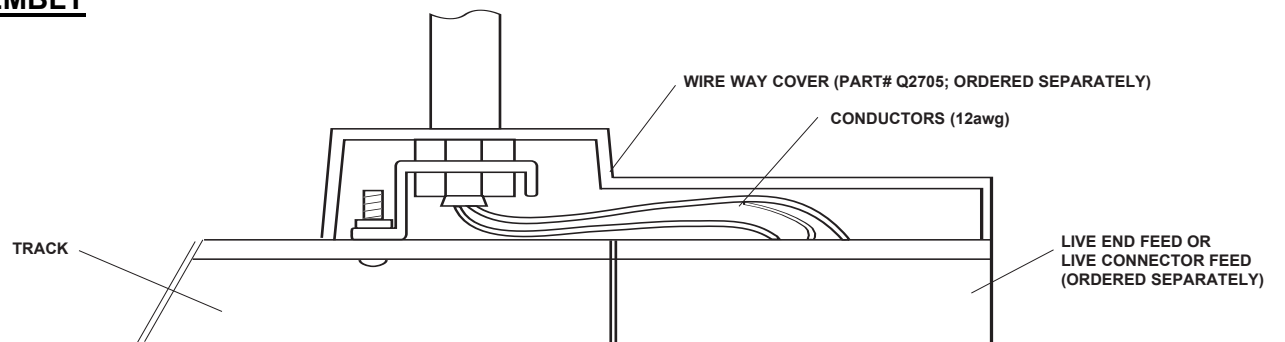
Hardware Bag
(formerly Q2702)



*NOTE: If using the pendant support as a power drop for the electrical conductors, then also order separately the Q2705 decorative cover to hide the conductors. (Use Q2705 instead of the small decorative cap included with the pendant kit.)



STANDARD ASSEMBLY



ASSEMBLY WHEN USED WITH POWER FEED

WARNING: FIRE/ELECTRICAL HAZARD

This equipment is intended to be installed only by qualified personnel. The installation must be made in accordance with the current edition to the National Electric Code and all applicable state and local building codes. The final installation must be approved by the appropriate qualified electrical/building inspector(s). Improper installation may result in a fire or electrical hazard. Read all instructions prior to installation.

Turn off power before beginning installation.

DIMMING

Dimmer must be capable of handling complete wattage load of track heads. Low-voltage track heads must be dimmed with an ELV style dimmer capable of dimming transformers. LED track heads must be used with a dimmer specifically designed for use with LED drivers.

IMPORTANT: Track is UL Listed only for 120V 60Hz, 20 amps. Not for use with low-voltage remote transformers.

IMPORTANT: When using a pendant as power feed make sure to attach upper end of pendant assembly only to a electrical junction box. Within the ceiling, the junction box must be firmly attached to a wood joist, or similar, that is able to support the weight of the track and track heads. When the pendant assembly is not used as a power feed, make sure it is attached firmly to the ceiling drywall or ceiling panel with appropriate hardware, and ideally, use wood blocking behind the ceiling to add strength.