

FEATURES **DRY ONLY**

**DIRECTION**

**LIGHT DIRECTION:** Downward

**DIMENSIONS**

12" H x 5½" Dia.

**CONSTRUCTION/COLORS**

**HANDCRAFTED CYLINDER-SHAPED**

**SHADE:** White acrylic diffuses light evenly and features a simple, minimalist look.

**INSTALLATION**

**BARE PENDANT MOUNTING:**

- Mounts Onto Compatible *QuantaLight* Bare Pendant (See Below)
- Suitable for Indoor Use Only

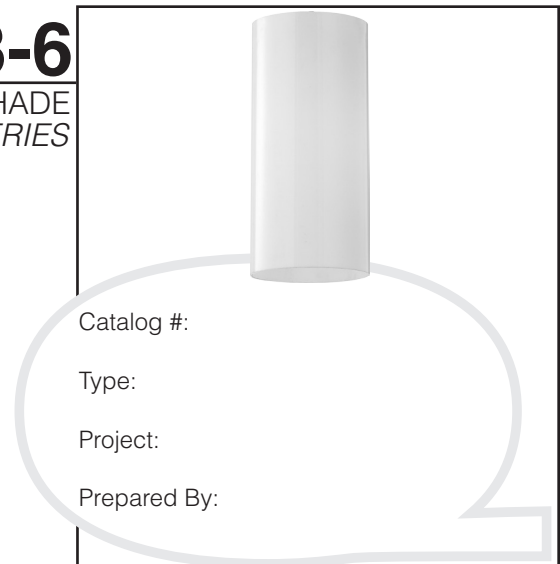
**COMPATIBLE PENDANTS**

See Compatible *QuantaLight* Bare Pendant Specification Sheets

- *QuantaLight* 2429-33 Brushed Nickel Integrated LED Mini Pendant
- *QuantaLight* 2421-33 Brushed Nickel Standard Medium Base (E26) Mini Pendant
- *QuantaLight* 2421-79 Antique Bronze Standard Medium Base (E26) Mini Pendant

**COMPLIANCES**

**DRY ONLY DRY LOCATIONS ONLY**



Catalog #:

Type:

Project:

Prepared By:

**AT A GLANCE**

This acrylic cylinder shade from the *QuantaLight Mix & Match Series* diffuses light evenly and features a simple, minimalist look. Quickly and easily customize the perfect fixture for your project by pairing this shade to a compatible *QuantaLight* bare pendant. Ideal for a variety of applications such as bars, restaurants, kitchen islands, and over dining tables. Measures 12" H x 5½" D.

**ORDER CONFIGURATOR**

The shade product catalog code is prefilled for your convenience below (e.g., Shade #: 0053-6). To order compatible pendant(s), use the corresponding specification sheet(s) for the desired compatible *QuantaLight* bare pendant(s).

**SHADE #**

0053	-	6
------	---	---

<b>SHADE MODEL</b>	<b>COLOR</b>
<input checked="" type="checkbox"/> 0053	<input checked="" type="checkbox"/> 6 White

**QUICK VIEW**



FEATURES     **DRY ONLY**

### LED LIGHT ENGINE

**LIGHT DIRECTION:** Downward  
**LIGHT SOURCE:** One Integrated LED  
**WATTS PER LED:** 9W  
**TOTAL WATTAGE:** 9W  
**LUMENS PER LED:** 850 lm  
**TOTAL LUMENS:** 850 lm  
**CRI:** 80  
**COLOR TEMPERATURE:** 2700K  
**LIFE (RATED):** 50,000 Hours  
**VOLTAGE:** 120V

### DIMMING

**DIMMING:** Not Dimmable

### OPTICS

**NONE (BARE LED)**

### CONSTRUCTION

**FIXTURE MATERIAL:** Steel  
**HEAT SINK:** Aluminum  
**HEAT SINK PRODUCTION PROCESS:** CNC Precision-Spun

### DIMENSIONS

3 1/8" H x 2 3/8" Dia.

### COLORS/FINISHES

**FINISH:** Beautifully and evenly finished with brushed nickel. Feel at ease with nickel's lasting quality and stunning appearance, brushed to perfect symmetry by skilled craftsmen. High-quality nickel provides durability and an attractive gleam.  
**ELECTRICAL CORD:** Clear with Silver Wire

### COMPATIBLE SHADES

See Compatible *QuantaLight Mix & Match Series* Specification Sheets

- 0020 Fabric Drum Shades
- 0025 Large Fabric Cylinder Shades
- 0027 Extra Large Fabric Cylinder Shades
- 0053-6 Acrylic Cylinder Shade
- GS-230s/500s/780 Glass Dome Shades
- GS-300s/10s Glass Tube Cylinder Shades
- GS-540s/50s/60s Glass Vase Shades
- GS-553 Glass Beehive Shade
- GS-790s Glass Cylinder Shades

### INSTALLATION

**CEILING SURFACE MOUNTING:**

- 10 ft. Adjustable Electrical Cord
- Mounting Canopy and Hardware Included
- Mounts Onto Standard Ceiling J-Box
- Suitable for Indoor Use Only

### FEATURES

 **INTEGRATED LED**  
 **ENERGY-EFFICIENT**

### COMPLIANCES

 **UL LISTED**  
 **DRY LOCATIONS ONLY**

### WARRANTY

 **5-YEAR LIMITED LED WARRANTY**



Catalog #:  
 Type:  
 Project:  
 Prepared By:

**AT A GLANCE**  
 Bare integrated LED mini pendant features an extensive selection of shades (sold separately). Quickly and easily customize the perfect fixture for your project by pairing to any compatible *QuantaLight Mix & Match* shade. Ideal for a variety of applications such as bars, restaurants, kitchen islands, and over dining tables. Finished in a beautiful contemporary brushed nickel.

Feel confident with this quality product. Integrated LED includes a 5-year limited warranty.

## ORDER CONFIGURATOR

The pendant product catalog code is prefilled for your convenience below (e.g., Pendant #: 2429-33). To order compatible *QuantaLight Mix & Match* pendant shades, use the corresponding specification sheet(s) for the desired compatible *QuantaLight Mix & Match Series*.

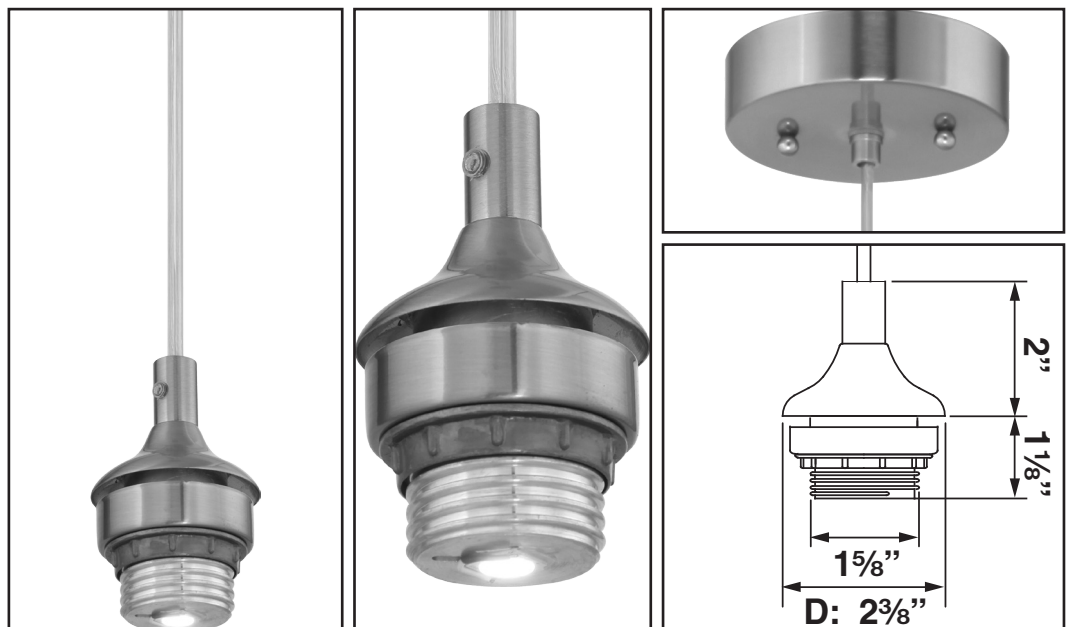
### PENDANT #

2429 - 33

PENDANT MODEL FINISH

2429  33 Brushed Nickel

### QUICK VIEW



FEATURES   **DRY ONLY**

### ELECTRICAL

**LIGHT DIRECTION:** Downward  
**LAMPING:** One LED or Incandescent Lamp (Sold Separately)  
**WATTS PER LAMP:** 75W Max  
**TOTAL WATTAGE:** 75W Max  
**LAMP BASE:** Medium Base (E26)  
**VOLTAGE:** 120V

### DIMMING

**DIMMING:** Dimmable (Lamp Dependent)

### OPTICS

**NONE (BARE LED)**

### CONSTRUCTION

**FIXTURE MATERIAL:** Steel

### DIMENSIONS

3 1/8" H x 2 3/8" Dia.

### COLORS/FINISHES

**FINISH:** Beautifully and evenly finished with brushed nickel. Feel at ease with nickel's lasting quality and stunning appearance, brushed to perfect symmetry by skilled craftsmen. High-quality nickel provides durability and an attractive gleam.  
**ELECTRICAL CORD:** Clear with Silver Wire

### INSTALLATION

**CEILING SURFACE MOUNTING:**

- 10 ft. Adjustable Electrical Cord
- Mounting Canopy and Hardware Included
- Mounts Onto Standard Ceiling J-Box
- Suitable for Indoor Use Only

### COMPATIBLE SHADES

See Compatible *QuantaLight Mix & Match Series* Specification Sheets


- 0020 Fabric Drum Shades
- 0025 Large Fabric Cylinder Shades
- 0027 Extra Large Fabric Cylinder Shades
- 0053-6 Acrylic Cylinder Shade
- GS-230s/500s/780 Glass Dome Shades
- GS-300s/10s Glass Tube Cylinder Shades
- GS-540s/50s/60s Glass Vase Shades
- GS-553 Glass Beehive Shade
- GS-790s Glass Cylinder Shades

### COMPLIANCES

 **cULus LISTED**  
**DRY LOCATIONS ONLY**

### WARRANTY

 **1-YEAR LIMITED WARRANTY**



Catalog #:  
 Type:  
 Project:  
 Prepared By:

**AT A GLANCE**  
 Bare mini pendant features an extensive selection of shades (sold separately). Quickly and easily customize the perfect fixture for your project by pairing to any compatible *QuantaLight Mix & Match* shade. Ideal for a variety of applications such as bars, restaurants, kitchen islands, and over dining tables. Finished in a beautiful contemporary brushed nickel.

### ORDER CONFIGURATOR

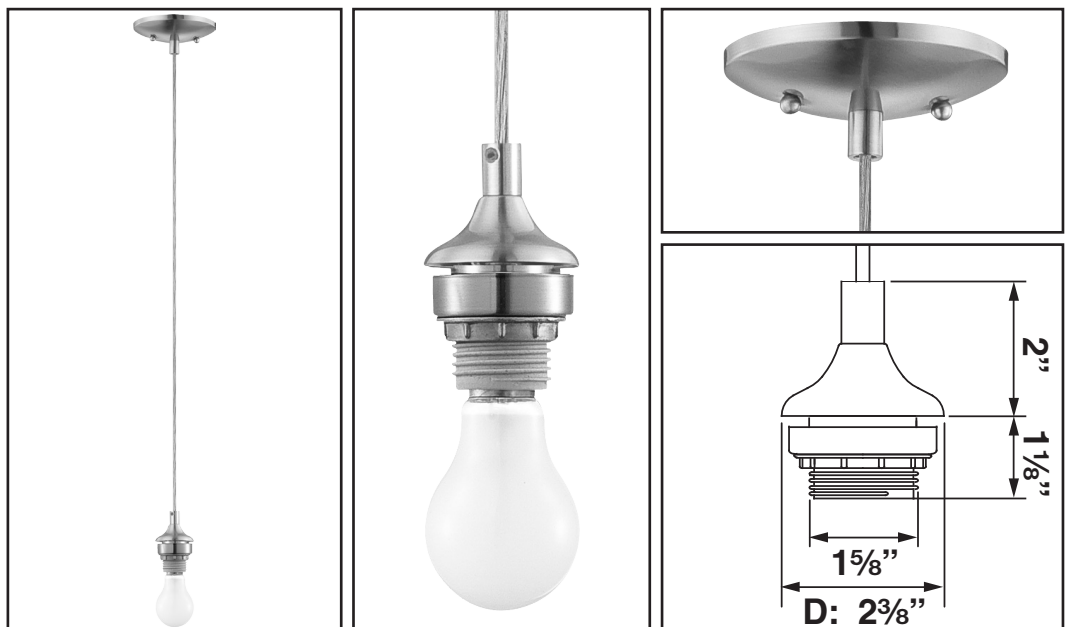
The pendant product catalog code is prefilled for your convenience below (e.g., Pendant #: 2421-33). To order compatible *QuantaLight Mix & Match* pendant shades, use the corresponding specification sheet(s) for the desired compatible *QuantaLight Mix & Match Series*.

### PENDANT #

<b>2421</b>	<b>33</b>
<b>PENDANT MODEL</b>	<b>FINISH</b>

2421  33 Brushed Nickel

### QUICK VIEW



FEATURES   **DRY ONLY**

## ELECTRICAL

**LIGHT DIRECTION:** Downward  
**LAMPING:** One LED or Incandescent Lamp (Sold Separately)  
**WATTS PER LAMP:** 75W Max  
**TOTAL WATTAGE:** 75W Max  
**LAMP BASE:** Medium Base (E26)  
**VOLTAGE:** 120V

## DIMMING

**DIMMING:** Dimmable (Lamp Dependent)

## OPTICS

**NONE (BARE LED)**

## CONSTRUCTION

**FIXTURE MATERIAL:** Steel

## DIMENSIONS

3 1/8" H x 2 3/8" Dia.

## COLORS/FINISHES

**FINISH:** Antique Bronze  
**ELECTRICAL CORD:** Clear with Silver Wire

## COMPATIBLE SHADES

See Compatible *QuantaLight Mix & Match Series* Specification Sheets

- 0020 Fabric Drum Shades
- 0025 Large Fabric Cylinder Shades
- 0027 Extra Large Fabric Cylinder Shades
- 0053-6 Acrylic Cylinder Shade
- GS-230s/500s/780 Glass Dome Shades
- GS-300s/10s Glass Tube Cylinder Shades
- GS-540s/50s/60s Glass Vase Shades
- GS-553 Glass Beehive Shade
- GS-790s Glass Cylinder Shades

## INSTALLATION

**CEILING SURFACE MOUNTING:**

- 10 ft. Adjustable Electrical Cord
- Mounting Canopy and Hardware Included
- Mounts Onto Standard Ceiling J-Box
- Suitable for Indoor Use Only

## COMPLIANCES

 **cULus LISTED**  
**DRY LOCATIONS ONLY**

## WARRANTY

 **1-YEAR LIMITED WARRANTY**



Catalog #:

Type:

Project:

Prepared By:

## AT A GLANCE

Bare mini pendant features an extensive selection of shades (sold separately). Quickly and easily customize the perfect fixture for your project by pairing to any compatible *QuantaLight Mix & Match* shade. Ideal for a variety of applications such as bars, restaurants, kitchen islands, and over dining tables. Finished in a beautiful contemporary antique bronze.

## ORDER CONFIGURATOR

The pendant product catalog code is pre-filled for your convenience below (e.g., Pendant #: 2421-79). To order compatible *QuantaLight Mix & Match* pendant shades, use the corresponding specification sheet(s) for the desired compatible *QuantaLight Mix & Match Series*.

## PENDANT #

2421 - 79

PENDANT MODEL FINISH

2421  79 Antique Bronze

## QUICK VIEW

