

5" DIAMETER INCANDESCENT/LED RECESSED DOWNLIGHT

APPLICATIONS

NEW CONSTRUCTION,
COMMERCIAL, OR RESIDENTIAL

LIGHT SOURCES

LED/INCANDESCENT

COMPATIBILITY:

- LED (75 Watts Max)
- Incandescent (75 Watts Max)
- Lamps Sold Separately (Refer to Compatible Trims for Compatible Lamp Types and Sizes)

EDISON BASE LAMPHOLDER:

Medium Base (E26)

THERMAL MANAGEMENT: Passive

ADJUSTABLE SOCKET CUP:

Socket cup adjusts vertically.

COMPATIBLE TRIMS

FINISH/COLORS/TRIM:

See Compatible Trims Below

INSTALLATION

CEILING:

- Accommodates Up to 1" Thickness
- Type IC
 - Suitable for Direct Contact with Insulation
- 5½" Ceiling Cutout Size
- Air-Tight

MOUNTING:

- Adjustable Hanger Bars (14" to 24")
- 7¼" Height Allows Use in 2" x 8" Joist Construction

J-BOX WIRING:

Integral Thru-Branch, 4 In/4 Out

COMPLIANCES/WARRANTY

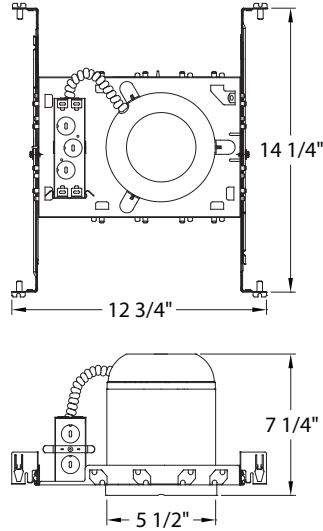
 **cULus LISTED**
SUITABLE FOR DAMP LOCATIONS

 **LED COMPATIBLE**
RECESSED DOWNLIGHT

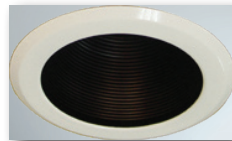
RECESSED
DOWNLIGHT MODEL 8500



QUICK VIEW



8500 TRIMS



8508-5 Black
Air Tight Cone Baffle
6½" Outside Diameter
75W PAR30
65W BR30



8508-6 White
Air Tight Cone Baffle
6½" Outside Diameter
75W PAR30
65W BR30



8502-6 White
Eyeball
6½" Outside Diameter
75W PAR30



8504-3 Chrome
Aluminum Cone Reflector
6½" Outside Diameter
75W PAR30
65W BR30
60W A19



8509-6 White
Drop Opal Shower
6½" Outside Diameter
40W A19
 Wet location



8503-6 White
Fresnel Shower
6½" Outside Diameter
40W A19
 Wet location

QUICK VIEW

