

8660/8661

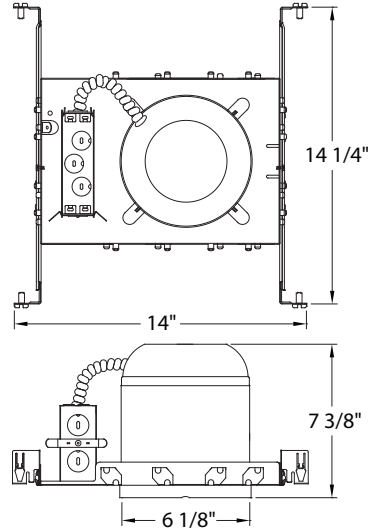
6" DIAMETER INCANDESCENT/LED RECESSED DOWNLIGHT

RECESSED DOWNLIGHT MODEL

- 8660 (IC) (90W)
- 8661 (NC) (150W)



QUICK VIEW



APPLICATIONS

NEW CONSTRUCTION,

COMMERCIAL, OR RESIDENTIAL:

- 8600
- 8661

COMMERCIAL OR RESIDENTIAL:

- 8666
- 8667

LIGHT SOURCES

LED/INCANDESCENT

COMPATIBILITY:

- LED
 - 8660 or 8667: 90 Watts Max
 - 8661 or 8666: 150 Watts Max
- Incandescent
 - 8660 or 8667: 90 Watts Max
 - 8661 or 8666: 150 Watts Max
- Lamps Sold Separately (Refer to Compatible Trims for Compatible Lamp Types and Sizes)

EDISON BASE LAMPHOLDER:

Medium Base (E26)

THERMAL MANAGEMENT: Passive

ADJUSTABLE SOCKET CUP:

Socket cup adjusts vertically.

COMPATIBLE TRIMS

FINISH/COLORS/TRIM:

- See Compatible Trims Page 132, Page 133, Page 134, Page 135, Page 136, and Page 137

INSTALLATION

CEILING:

- Accommodates Up to 1" Thickness
- 6 1/8" Ceiling Cutout Size
- 8661 or 8666
 - Non-Type IC: Insulation to Be Kept 3" Away
 - Non Air-Tight
- 8660 or 8667
 - Type IC: Suitable for Direct Contact with Insulation
 - Air-Tight

MOUNTING:

- 8660 or 8661
 - Adjustable Hanger Bars (14" to 24")
 - 7 1/2" Height Allows Use in 2" x 8" Joist Construction
- 8666 or 8667
 - Spring Clips Allow for Fast and Easy Installation
 - 7 1/2" Height Allows Use in 2" x 8" Joist Construction

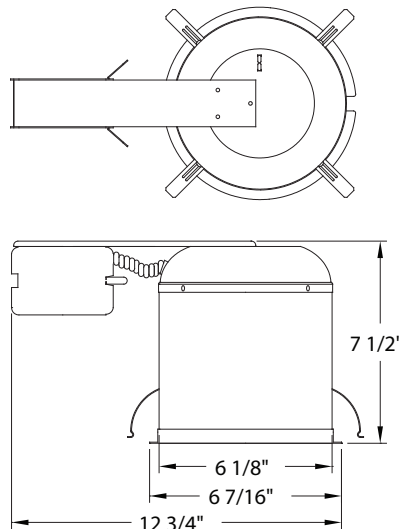
J-BOX WIRING:

- 8660 or 8661
 - Integral Thru-Branch, 4 In/4 Out
- 8666 or 8667
 - Integral Thru-Branch, 2 In/2 Out

COMPLIANCES/WARRANTY

- cULus LISTED**
- SUITABLE FOR DAMP LOCATIONS**
- LED COMPATIBLE**
- RECESSED DOWNLIGHT**

QUICK VIEW



6" DIAMETER INCANDESCENT/LED RECESSED REMODEL

8666/8667

REMODEL DOWNLIGHT MODEL

- 8666 (NC) (150W)
- 8667 (IC) (90W)



APPLICATIONS

**NEW CONSTRUCTION,
COMMERCIAL, OR RESIDENTIAL:**

- 8670

COMMERCIAL OR RESIDENTIAL:

- 8671

LIGHT SOURCES

LED/INCANDESCENT

COMPATIBILITY:

- LED (75 Watts Max)
- Incandescent (75 Watts Max)
- Lamps Sold Separately (Refer to Compatible Trims for Compatible Lamp Types and Sizes)

EDISON BASE LAMPHOLDER:

Medium Base (E26)

THERMAL MANAGEMENT: Passive

COMPATIBLE TRIMS

FINISH/COLORS/TRIM:

- See Compatible Trims Page 132, Page 133, Page 134, Page 135, Page 136, and Page 137

INSTALLATION

CEILING:

- Type IC
 - Suitable for Direct Contact with Insulation
- 6 1/8" Ceiling Cutout Size





MOUNTING:

- **8670**
 - Adjustable Hanger Bars (14" to 24")
 - 5 1/2" Height Allows Use in 2" x 6" Joist Construction
- **8671**
 - Spring Clips Allow for Fast and Easy Installation
 - 5 1/2" Height Allows Use in 2" x 6" Joist Construction

J-BOX WIRING:

- **8670**
 - Integral Thru-Branch, 4 In/4 Out
- **8671**
 - Integral Thru-Branch, 2 In/2 Out

COMPLIANCES/WARRANTY

-  **cULus LISTED**
-  **SUITABLE FOR DAMP LOCATIONS**
-  **LED COMPATIBLE**
-  **RECESSED DOWNLIGHT**

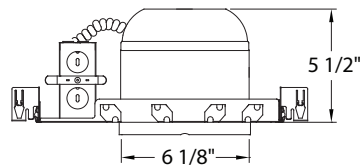
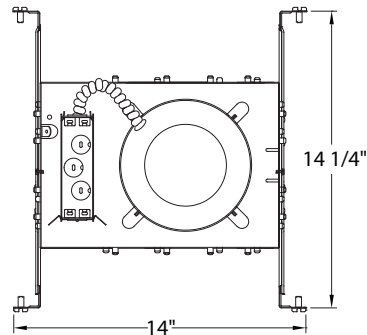
6" DIA. INCANDESCENT/LED SHALLOW HOUSING RECESSED DOWNLIGHT

8670

RECESSED
DOWNLIGHT MODEL 8670



QUICK VIEW



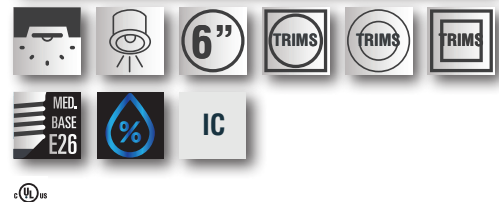
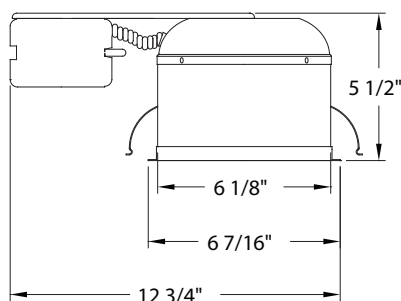
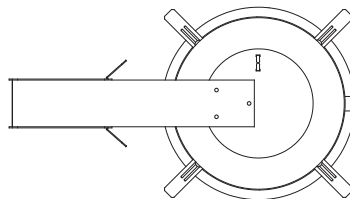
6" DIA. INCANDESCENT/LED SHALLOW HOUSING RECESSED REMODEL

8671

REMODEL
DOWNLIGHT MODEL 8671



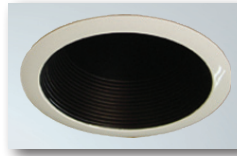
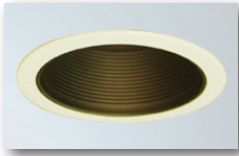
QUICK VIEW



86 Series (Cont.)

6" Reflectors/Trims Compatible with 8660, 8661, 8666, & 8667
See more trim options on pages 133, 134, 135, 136, & 137.

RESIDENTIAL | RECESSED DOWNLIGHTS | 6" Diameter | 86 Series (Continued)



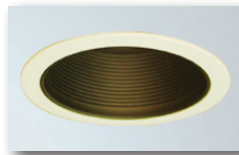
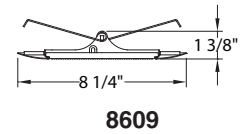
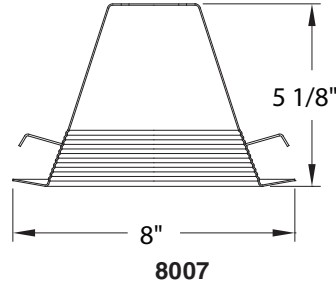
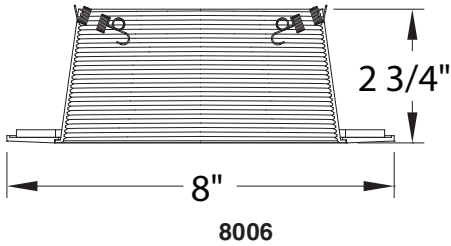
8006-5 Black Metal Baffle
Non-IC
150W PAR38/R40
IC
90W PAR30/R30

8006-6 White Metal Baffle
Non-IC
150W PAR38/R40
IC
90W PAR30/R30

8007-5 Black Air Tight Cone Baffle
Non-IC/IC
75W PAR38/R40

8007-6 White Air Tight Cone Baffle
Non-IC/IC
75W PAR38/R40

8609-6 Fresnel Shower
Non-IC
60W A19
IC
40W A19
Wet location



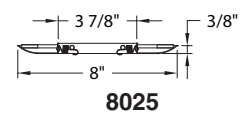
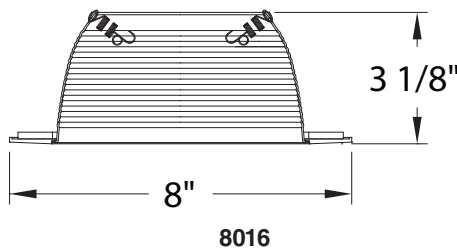
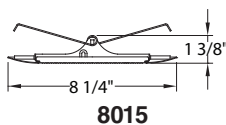
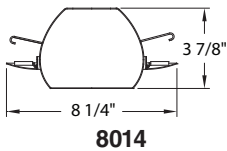
8014-6 Eyeball
Non-IC
75W PAR30/R30

8015-6 Albalite Shower
Non-IC
60W A19
IC
40W A19
Wet location

8016-5 Black Metal Baffle
Non-IC/IC
75W PAR30/R30

8016-6 White Metal Baffle
Non-IC/IC
75W PAR30/R30

8025-6 Open Trim
Non-IC/IC
75W PAR30/R30



8035-6 Open Trim
Non-IC
150W PAR38/R40

8613-3 Aluminum Cone Reflector
Non-IC
100W A19
IC
60W A19

8614-6 Drop Opal Lens Shower
Non-IC
60W A19
IC
40W A19
Wet location

