

The LinOptics™ Series of LED linear pendants are architectural luminaires created to replace traditional fluorescent lights and troffers in commercial applications. Designed with optics that deliver maximum lumens while concealing the LED light source to create pleasing glare free illumination. Features include an integral 115-277VAC driver and the ability to be cable suspended or surface-mounted. The sleek appearance makes it a popular option for offices, retail stores, and schools. Available in white or black finishes (or silver by special order).



Product Features

Electrical

- Long-life SMD 2835 LEDs and an energy-efficient electronic driver.
- Operates on 115-277VAC.
- Features 0-10V low-voltage dimming (0 to 100% dimmable).
- LED driver features over-voltage, over-current and short circuit protection, and built-in surge protection to 500V. The Power Factor is >0.9, and THD is <20%.

Optical

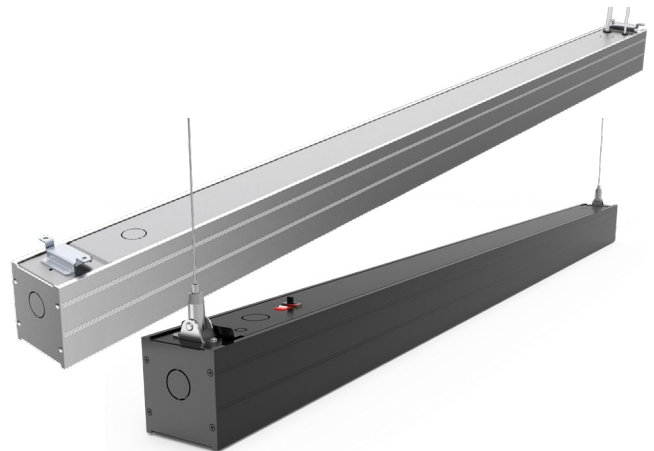
- The extruded frosted polycarbonate lens obscures the LED source to provide low-glare, balanced light distribution.
- The color temperature is 4000K with an 80CRI.
- Life is rated at 50,000 hours at L70.
- Environmentally-friendly: No mercury and no hazardous substances.

Construction

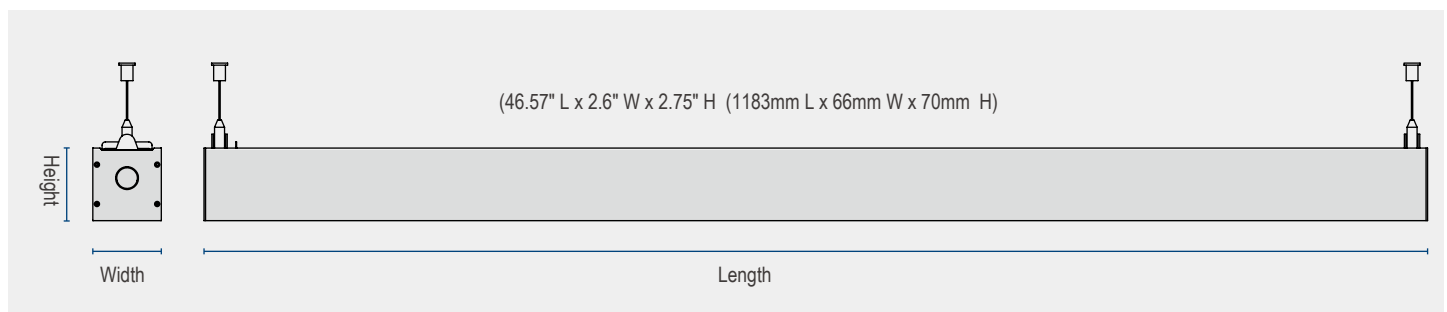
- Extruded aluminum body provides strength and rigidity.
- Available colors are white or black (or silver by special order).
- Slim 4 ft. length that can be used alone or connected together.

Mounting

- Wall, cove, ceiling surface, and cable pendant mountable. (Cable and surface mounting hardware included.)
- Create a streamlined continuous row using the included fixture connector.



Dimensions



Parameter

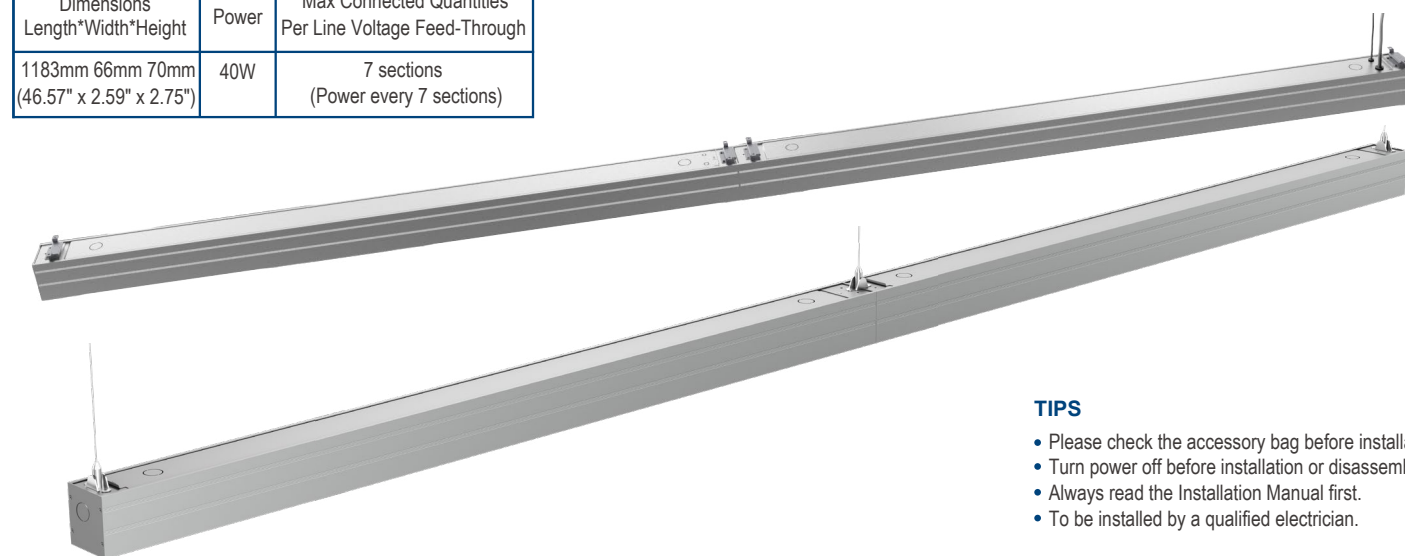
Ordering Information							Example: L14-40-44-10-1-WH-P	
Item Number:	L14	40	44	10	1			
	Products Series	Color Temp.	Lumens	Dimming	Voltage	Fixture Color	Support Options	
	LinOptics Series 1, 4 Foot	4000K	4400 lumens	0-10 volt	115-277VAC	WH = white BK = black SL = silver	S = surface P = aircraft cable W = wall	

Summary	Model No.	Power	Lumens	Efficacy	Size	CCT Range
General Type	L14-40-44-10-1	40W	4400lm	110LPW	4FT	4000K

Summary	
Beam angle:	110°
Dimmable:	0-10V
THD:	<20%
CRI:	>80
PF:	>0.9
Colour:	Black / White / Silver

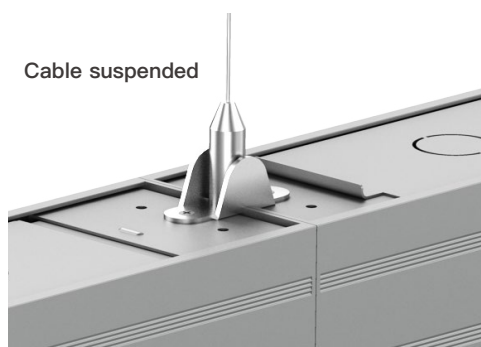
Details

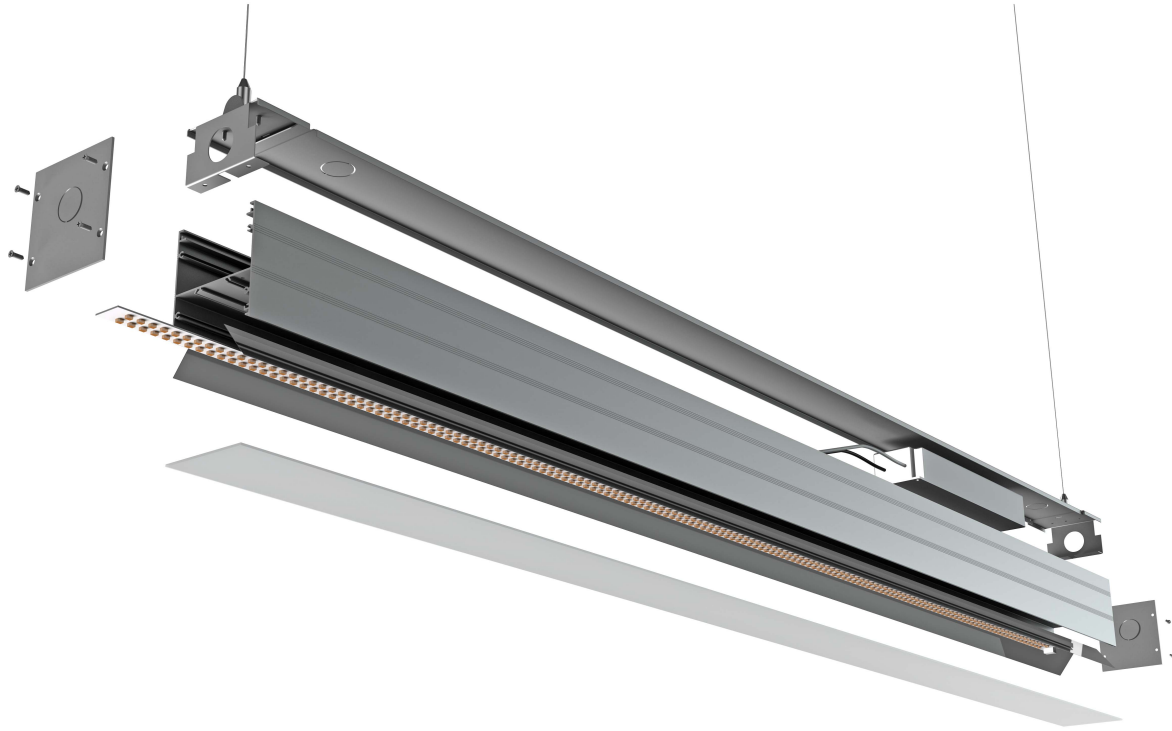
Dimensions Length*Width*Height	Power	Max Connected Quantities Per Line Voltage Feed-Through
1183mm 66mm 70mm (46.57" x 2.59" x 2.75")	40W	7 sections (Power every 7 sections)



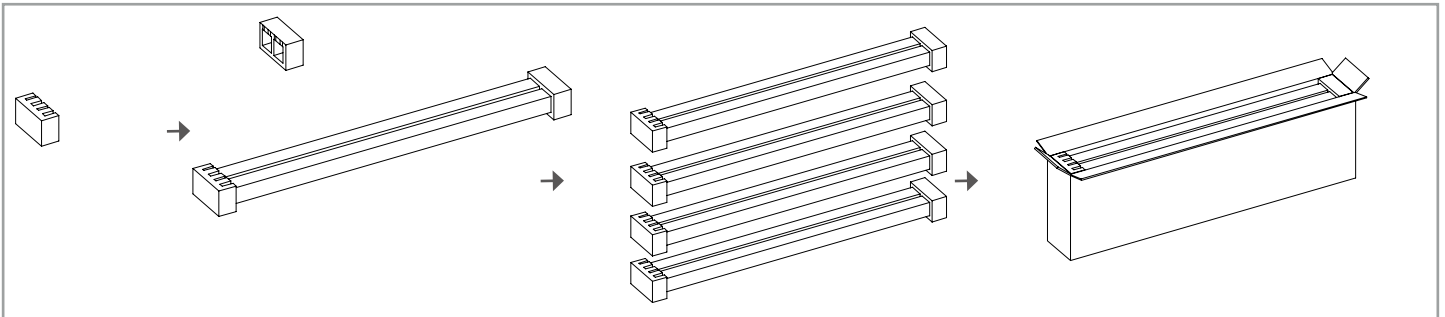
TIPS

- Please check the accessory bag before installation.
- Turn power off before installation or disassembly.
- Always read the Installation Manual first.
- To be installed by a qualified electrician.





Packaging



size	N.W. / Product	G.W. / Carton	Product Dimension	Carton Dimension	CBM	Pcs / Carton
4FT	2.28 kg (5.02 lb)	19.95 kg (43.98 lb)	1183*66*70mm (46.57*2.59*2.75")	1260*205*330mm (49.60*8.07*12.99")	0.09 m ³	8 pcs, 4 high

* Storage temp: -30°C ~ +60°C (-22°F ~ +140°F).