



FEATURES

LED LIGHT ENGINE

WATTS/LUMENS: Type IC and Non-Type IC: 10W/600 lm or 15W/900 lm

CRI: 91 (Upgrade to 97 CRI [R9=90] available via special/custom order. See Optional section below.)

CCT: 2700K, 3000K, 3500K, or 4000K

BINNING: 3 SDCM

THERMAL MANAGEMENT: Passive

LIFE (RATED): 50,000 hours based on LED testing per LM80-08 and projected values from IESNA TM21-11.

LED DRIVER

OUTPUT POWER SUPPLY: Class II

POWER FACTOR (P_f): >.9

THD: <10%

INPUT VOLTAGE:

120V/277V at 50/60 Hz (See Voltage Below)

DIMMING:

- TRIAC/ELV, 5% (120V AC Only)
- 0-10V, 10% (120V/277V)
- See Dimming below for more options.

COMPATIBLE TRIMS

FINISH/COLORS/TRIM:

- See Compatible Trim Specification Sheets
 - 6034 Series
 - 6035 Series

OPTICS

BEAM ANGLES: 18°

ADJUSTABLE/LOCKABLE AIMING:

Up to 40° tilt (0° to 40° degrees from vertical axis). Up to 359° rotation around vertical axis.

INSTALLATION

CEILING:

- Accommodates Up to 1¼" Thickness
- Type IC or Non-Type IC
 - Type IC Suitable for Direct Contact with Insulation
 - Non-Type IC Insulation to Be Kept 3" Away
- 2½" Ceiling Cutout Size
- Maintenance Access from Above and Below Ceiling

MOUNTING:

- Integrated Universal Mounting Brackets
 - Advanced High-Strength Steel (AHSS)
- Hanger Bars (Sold Separately) (See Below)

J-BOX WIRING:

Integral Thru-Branch, 4 In/4 Out

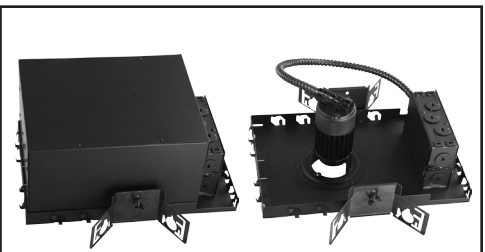
EMERGENCY BACKUP BATTERY

BATTERY LED LOAD:

- Up to 7 Watts at 600 Lumens Minimum for 90 Minutes
- Up to 20 Watts at 1750 Lumens Minimum for 90 Minutes
- Remote Test Switch Included

COMPLIANCES/WARRANTY

- Ⓢ **cETLus LISTED**
- Ⓢ **FCC COMPLIANT**
- Ⓢ **5-YEAR LIMITED WARRANTY**
- Ⓢ **RoHS COMPLIANT**
- Ⓢ **SUITABLE FOR DAMP LOCATIONS**
- Ⓢ **ENERGY-EFFICIENT**
- Ⓢ **LED**
- Ⓢ **RECESSED DOWNLIGHT**



Catalog #:

Type:

Project:

Prepared By:

AT A GLANCE

2" internally adjustable LED recessed downlight. High-performance, specification-grade luminaire ideal for numerous applications such as retail and hospitality. Features up to 900 delivered lumens, a variety of color temperature options (2700K, 3000K, 3500K, and 4000K), 18° beam angle, and two standard dimming options (flicker-free TRIAC/ELV, 5% and 0-10V dimming, 10%). Trims available in round or square apertures.

ORDER CONFIGURATOR

To order, select one option from each table column to configure the desired recessed downlight product catalog code. Then, fill in the boxes below (e.g., Recessed Downlight #: RL2A-35-06-18-LUTECO-IC-U). To order trims, use the corresponding specification sheet(s) for the desired compatible trim series. To order additional items (optional), up to one option from each table column can be selected from the Optional section. Then, fill in the dashed box(es).

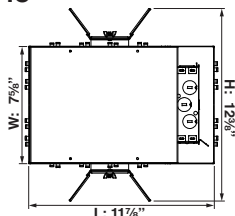
RECESSED DOWNLIGHT

RL2A			18			U
RD MODEL	CCT	LUMENS	OPTICS	DIMMING	IC TYPE	VOLTAGE
<input checked="" type="checkbox"/> RL2A	<input type="checkbox"/> 27 2700K <input type="checkbox"/> 30 3000K <input type="checkbox"/> 35 3500K <input type="checkbox"/> 40 4000K	<input type="checkbox"/> 06 600 lm <input type="checkbox"/> 09 900 lm	<input checked="" type="checkbox"/> 18 18°	<input type="checkbox"/> LELV Flicker-Free TRIAC/ELV, 5% (120V Only) <input type="checkbox"/> L010 0 to 10V Dimming, 10% <input type="checkbox"/> LUTIII Lutron Hi-Lume, 1% <input type="checkbox"/> LUTECO Lutron Ecosystem, 1% <input type="checkbox"/> LDALI Dali, 1% <input type="checkbox"/> LDLMX DMX512, 1%	<input type="checkbox"/> IC Type IC <input type="checkbox"/> ICCP Type IC, Chicago Plenum <input type="checkbox"/> NC Non-Type IC	<input type="checkbox"/> U120V-277V

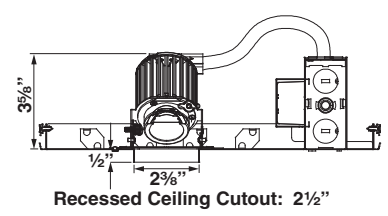
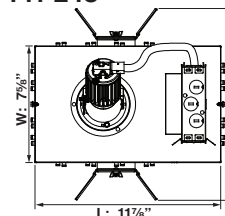
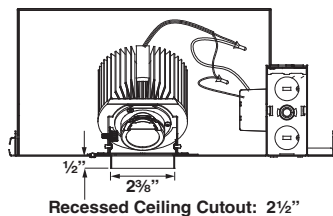
OPTIONAL (SOLD SEPARATELY)

EMERGENCY BATTERY BACKUPS	HANGER BARS (SOLD SEPARATELY)	CRI UPGRADE
<input type="checkbox"/> EMB07 7W <input type="checkbox"/> EMB20 20W	<input type="checkbox"/> HBC C Channel <input type="checkbox"/> HBF Flat Style <input type="checkbox"/> HBJ Wood Joist	<input type="checkbox"/> CRI97 CRI 97; R9=90 (2700K, 3000K and 4000K Only) <input type="checkbox"/> VIVID (See Citizen® Vivid™ Series Brilliant Type for details.)

QUICK VIEW TYPE IC



NON-TYPE IC



FEATURES   

DOWNLIGHT/TRIM

DESIGN:

Self-Flanged, Two-Piece Construction

FINISH/COLORS/TRIM: Painted (Black or White) or Anodized (Clear, Haze, or Wheat) (Round Only); Painted White Flange Trim

PRODUCTION PROCESS:

CNC Precision-Spun

MATERIAL: Specification-Grade Aluminum Alloy, .060" Thick

LENS COVER: Clear Glass

COMPATIBILITY

RECESSED DOWNLIGHTS:

- RL2A Series
- RL2V Series
- RL2VR Series

COMPLIANCES/WARRANTY

 **5-YEAR LIMITED WARRANTY**

 **SUITABLE FOR DAMP LOCATIONS**

 **LED**

- **DOWNLIGHT/TRIM**



Catalog #:

Type:

Project:

Prepared By:

AT A GLANCE

Symmetrical output, downlight style trim series for the RL2, 2" diameter recessed downlights. The trims are available in either round or square apertures as well as an assortment of colors and finishes. Made from die-cast aluminum, the trims can be painted (round or square) or anodized (round only) to meet the needs of the most difficult of applications. The trims are configured for flanged installations.

ORDER CONFIGURATOR

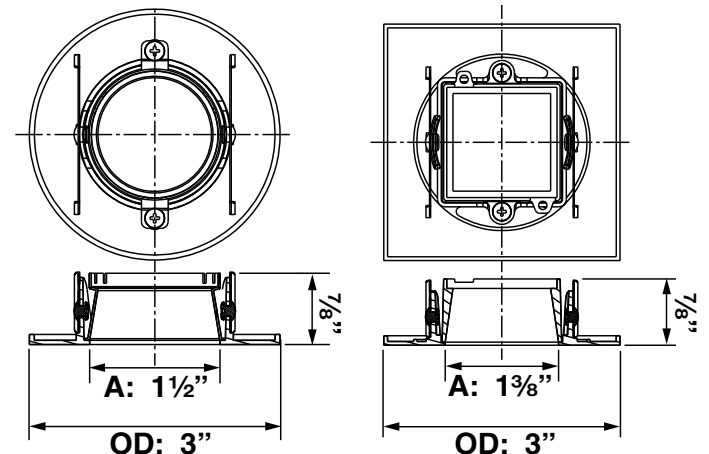
To order, select one option from each table column to configure the desired downlight/trim product catalog code. Then, fill in the boxes below (e.g., Downlight/Trim #: 6034-R-WH-SW). To order recessed downlights, use the corresponding specification sheet(s) for the desired compatible recessed downlight series.

DOWNLIGHT/TRIM

6034			SW
------	--	--	----

D/T MODEL	SHAPE	FINISH/COLOR	FLANGE
<input checked="" type="checkbox"/> 6034	<input type="checkbox"/> R Round <input type="checkbox"/> S Square	<input type="checkbox"/> BK Black (Painted) (<input checked="" type="checkbox"/> R Round or <input checked="" type="checkbox"/> S Square) <input type="checkbox"/> WH White (Painted) (<input checked="" type="checkbox"/> R Round or <input checked="" type="checkbox"/> S Square) <input type="checkbox"/> CL Clear (Anodized) (<input checked="" type="checkbox"/> R Round Only) <input type="checkbox"/> HZ Haze (Anodized) (<input checked="" type="checkbox"/> R Round Only) <input type="checkbox"/> WT Wheat (Anodized) (<input checked="" type="checkbox"/> R Round Only)	<input checked="" type="checkbox"/> SW Self-Flanged (With Painted White Trim)

QUICK VIEW



FEATURES   

SHOWER LED

DESIGN:

Self-Flanged, Two-Piece Construction

FINISH/COLORS/TRIM:

Painted (Black or White) or Anodized (Clear, Haze, or Wheat); Painted White Flange Trim

PRODUCTION PROCESS:

CNC Precision-Spun

MATERIAL: Specification-Grade Aluminum Alloy, .060" Thick

LENS: Sealed and Frosted Glass

COMPATIBILITY

RECESSED DOWNLIGHTS:

- RL2A Series
- RL2V Series
- RL2VR Series

COMPLIANCES/WARRANTY

 **5-YEAR LIMITED WARRANTY**

 **SUITABLE FOR WET LOCATIONS**

 **LED**

- **SHOWER/TRIM**



Catalog #:

Type:

Project:

Prepared By:

AT A GLANCE

Shower compliant, downlight style trim series for the RL2, 2" diameter recessed downlights. The trims are available in either round or square apertures as well as an assortment of colors and finishes. Made from die-cast aluminum, the trims can be painted or anodized to meet the needs of the most difficult of applications. The trims are configured for flanged installations.

ORDER CONFIGURATOR

To order, select one option from each table column to configure the desired shower/trim product catalog code. Then, fill in the boxes below (e.g., Shower/Trim #: 6035-R-WH-SW). To order recessed downlights, use the corresponding specification sheet(s) for the desired compatible recessed downlight series.

SHOWER/TRIM #

6035			SW
S/T MODEL	SHAPE	FINISH/COLOR	FLANGE
<input checked="" type="checkbox"/> 6035	<input type="checkbox"/> R Round <input type="checkbox"/> S Square	<input type="checkbox"/> BK Black (Painted) (<input checked="" type="checkbox"/> R Round or <input checked="" type="checkbox"/> S Square) <input type="checkbox"/> WH White (Painted) (<input checked="" type="checkbox"/> R Round or <input checked="" type="checkbox"/> S Square) <input type="checkbox"/> CL Clear (Anodized) (<input checked="" type="checkbox"/> R Round Only) <input type="checkbox"/> HZ Haze (Anodized) (<input checked="" type="checkbox"/> R Round Only) <input type="checkbox"/> WT Wheat (Anodized) (<input checked="" type="checkbox"/> R Round Only)	<input checked="" type="checkbox"/> SW Self-Flanged (With Painted White Trim)

QUICK VIEW

