



LED LIGHT ENGINE

WATTS/LUMENS:
10W/600 lm or 15W/900 lm

CRI: 91 (Upgrade to 97 CRI [R9=90] available via special/custom order. See Optional section below.)

CCT: 2700K, 3000K, 3500K, or 4000K

BINNING: 3 SDCM

THERMAL MANAGEMENT: Passive

LIFE (RATED): 50,000 hours based on LED testing per LM80-08 and projected values from IESNA TM21-11.

LED DRIVER

OUTPUT POWER SUPPLY: Class II

POWER FACTOR (P_f): >.9

THD: <10%

INPUT VOLTAGE:
120V/277V at 50/60 Hz (See Voltage Below)

DIMMING:

- TRIAC/ELV, 5% (120V AC Only)
- 0-10V, 10% (120V/277V)
- See Dimming below for more options.

COMPATIBLE TRIMS

FINISH/COLORS/TRIM:

- See Compatible Trim Specification Sheets
 - 6034 Series
 - 6035 Series

OPTICS

BEAM ANGLES: 18°

INSTALLATION

CEILING:

- Accommodates Up to 11/4" Thickness
- Non-Type IC Insulation to Be Kept 3" Away
- 2½" Ceiling Cutout Size
- Maintenance Access from Above and Below Ceiling

MOUNTING:

- Integrated Universal Mounting Brackets
- Hanger Bars (Sold Separately - See Below)

J-BOX WIRING:
Integral Thru-Branch, 4 In/4 Out

EMERGENCY BACKUP BATTERY

BATTERY LED LOAD:

- Up to 7 Watts at 600 Lumens Minimum for 90 Minutes
- Up to 20 Watts at 1750 Lumens Minimum for 90 Minutes
- Remote Test Switch Included

COMPLIANCES/WARRANTY

cETLus LISTED

FCC COMPLIANT

5-YEAR LIMITED WARRANTY*

RoHS COMPLIANT

SUITABLE FOR DAMP LOCATIONS**

LED

RECESSED DOWNLIGHT

* Excessive heat due to hot installation location will lead to early failures and such damage is not warranted.

** Suitable for showers and exterior use only when using a properly installed wet location trim. Bug and/or dust intrusion can lead to early LED failures. Damp and wet location ratings do not mean water proof. Only mount downlight fixtures in cavity protected from water intrusion. If used outdoors, seal the trim piece with latex sealant to block insect intrusion. If insects can get into ceiling cavity, consider using a Type IC downlight fixture.



Catalog #:

Type:

Project:

Prepared By:

AT A GLANCE

2" vertical, fixed-position LED recessed downlight. High-performance, specification-grade luminaire ideal for numerous applications such as retail and hospitality. Features up to 900 delivered lumens, a variety of color temperature options (2700K, 3000K, 3500K, and 4000K), 18° beam angle, and two standard dimming options (flicker-free TRIAC/ELV, 5% and 0-10V dimming, 10%). Trims available in round or square apertures.

ORDER CONFIGURATOR

To order, select one option from each table column to configure the desired recessed downlight product catalog code. Then, fill in the boxes below (e.g., Recessed Downlight #: RL2V-35-06-18-L010-NC-1). To order trims, use the corresponding specification sheet(s) for the desired compatible trim series. To order additional items (optional), up to one option from each table column can be selected from the Optional section. Then, fill in the dashed box(es).

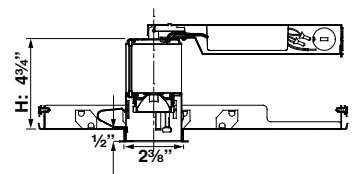
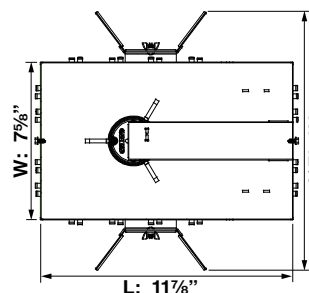
RECESSED DOWNLIGHT

RL2V			18		NC	U
RD MODEL	CCT	LUMENS	OPTICS	DIMMING	IC TYPE	VOLTAGE
<input checked="" type="checkbox"/> RL2V	<input type="checkbox"/> 27 2700K <input type="checkbox"/> 30 3000K <input type="checkbox"/> 35 3500K <input type="checkbox"/> 40 4000K	<input type="checkbox"/> 06 600 lm <input type="checkbox"/> 09 900 lm	<input checked="" type="checkbox"/> 18 18°	<input type="checkbox"/> LELV Flicker-Free TRIAC/ELV, 5% (120V Only) <input type="checkbox"/> L010 0 to 10V Dimming, 10% <input type="checkbox"/> LUTIII Lutron Hi-Lume, 1% <input type="checkbox"/> LUTECO Lutron Ecosystem, 1% <input type="checkbox"/> LDALI Dali, 1% <input type="checkbox"/> LDMX DMX512, 1%	<input checked="" type="checkbox"/> NC Non-Type IC	<input checked="" type="checkbox"/> U 120V/277V

OPTIONAL

EMERGENCY BATTERY BACKUPS	HANGER BARS (SOLD SEPARATELY)	CRI UPGRADE
<input type="checkbox"/> EMB07 7W <input type="checkbox"/> EMB20 20W	<input type="checkbox"/> HBC C Channel <input type="checkbox"/> HBF Flat Style <input type="checkbox"/> HBJ Wood Joist	<input type="checkbox"/> CRI97 CRI 97; R9=90 (2700K, 3000K and 4000K Only) <input type="checkbox"/> VIVID (See Citizen® Vivid™ Series Brilliant Type for details.)

QUICK VIEW



Recessed Ceiling Cutout: 2½"

FEATURES



DOWNLIGHT/TRIM

DESIGN:

Self-Flanged, Two-Piece Construction

FINISH/COLORS/TRIM: Painted (Black or White) or Anodized (Clear, Haze, or Wheat) (Round Only); Painted White Flange Trim

PRODUCTION PROCESS:

CNC Precision-Spun

MATERIAL: Specification-Grade Aluminum Alloy, .060" Thick

LENS COVER: Clear Glass

COMPATIBILITY

RECESSED DOWNLIGHTS:

- RL2A Series
- RL2V Series
- RL2VR Series

COMPLIANCES/WARRANTY

5-YEAR LIMITED WARRANTY

SUITABLE FOR DAMP LOCATIONS

LED

- **DOWNLIGHT/TRIM**



Catalog #:

Type:

Project:

Prepared By:

AT A GLANCE

Symmetrical output, downlight style trim series for the RL2, 2" diameter recessed downlights. The trims are available in either round or square apertures as well as an assortment of colors and finishes. Made from die-cast aluminum, the trims can be painted (round or square) or anodized (round only) to meet the needs of the most difficult of applications. The trims are configured for flanged installations.

ORDER CONFIGURATOR

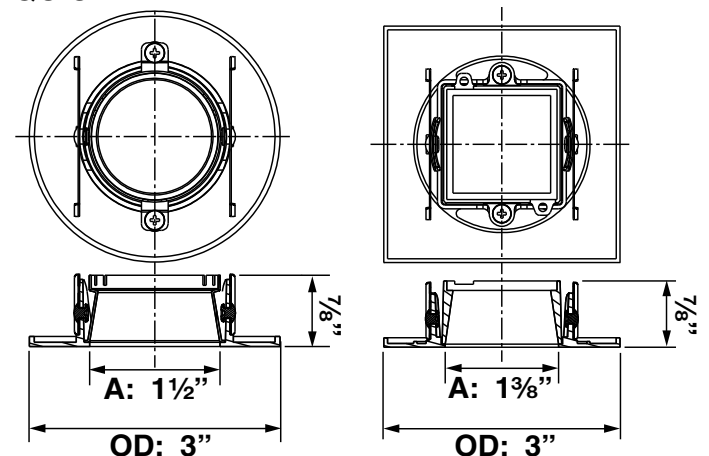
To order, select one option from each table column to configure the desired downlight/trim product catalog code. Then, fill in the boxes below (e.g., Downlight/Trim #: 6034-R-WH-SW). To order recessed downlights, use the corresponding specification sheet(s) for the desired compatible recessed downlight series.

DOWNLIGHT/TRIM

6034			SW
------	--	--	----

D/T MODEL	SHAPE	FINISH/COLOR	FLANGE
<input checked="" type="checkbox"/> 6034	<input type="checkbox"/> R Round <input type="checkbox"/> S Square	<input type="checkbox"/> BK Black (Painted) (<input checked="" type="checkbox"/> R Round or <input checked="" type="checkbox"/> S Square) <input type="checkbox"/> WH White (Painted) (<input checked="" type="checkbox"/> R Round or <input checked="" type="checkbox"/> S Square) <input type="checkbox"/> CL Clear (Anodized) (<input checked="" type="checkbox"/> R Round Only) <input type="checkbox"/> HZ Haze (Anodized) (<input checked="" type="checkbox"/> R Round Only) <input type="checkbox"/> WT Wheat (Anodized) (<input checked="" type="checkbox"/> R Round Only)	<input checked="" type="checkbox"/> SW Self-Flanged (With Painted White Trim)

QUICK VIEW



FEATURES



SHOWER LED

DESIGN:

Self-Flanged, Two-Piece Construction

FINISH/COLORS/TRIM:

Painted (Black or White) or Anodized (Clear, Haze, or Wheat); Painted White Flange Trim

PRODUCTION PROCESS:

CNC Precision-Spun

MATERIAL: Specification-Grade Aluminum Alloy, .060" Thick

LENS: Sealed and Frosted Glass

COMPATIBILITY

RECESSED DOWNLIGHTS:

- RL2A Series
- RL2V Series
- RL2VR Series

COMPLIANCES/WARRANTY

5-YEAR LIMITED WARRANTY

SUITABLE FOR WET LOCATIONS

LED

- **SHOWERTRIM**

NOTES:

The internal reflector (located behind the frosted glass) comes in white only. Combined with the frosted glass, a white reflector helps provide smooth light output.

The ceiling cutout should be 2 1/2" inches. Any larger will risk the hole being visible.

Damp and wet location ratings do not mean water proof. Only mount downlight fixtures in cavity protected from water intrusion. Not for use in car wash or similar applications where the exposed trim will be sprayed with force. If used outdoors, seal the trim piece with latex sealant to block insect intrusion. If insects can get into ceiling cavity, use a Type IC downlight fixture.



Catalog #:

Type:

Project:

Prepared By:

AT A GLANCE

Shower compliant, downlight style trim series for the RL2, 2" diameter recessed downlights. The trims are available in either round or square apertures as well as an assortment of colors and finishes. Made from die-cast aluminum, the trims can be painted or anodized to meet the needs of the most difficult of applications. The trims are configured for flanged installations.

ORDER CONFIGURATOR

To order, select one option from each table column to configure the desired shower/trim product catalog code. Then, fill in the boxes below (e.g., Shower/Trim #: 6035-R-WH-SW). To order recessed downlights, use the corresponding specification sheet(s) for the desired compatible recessed downlight series.

SHOWER/TRIM #

6035					SW
------	--	--	--	--	-----------

S/T MODEL	SHAPE	FINISH/COLOR	FLANGE
-----------	-------	--------------	--------

<input checked="" type="checkbox"/> 6035	<input type="checkbox"/> R Round <input type="checkbox"/> S Square	<input type="checkbox"/> BK Black (Painted) (<input checked="" type="checkbox"/> R Round or <input checked="" type="checkbox"/> S Square) <input type="checkbox"/> WH White (Painted) (<input checked="" type="checkbox"/> R Round or <input checked="" type="checkbox"/> S Square) <input type="checkbox"/> CL Clear (Anodized) (<input checked="" type="checkbox"/> R Round Only) <input type="checkbox"/> HZ Haze (Anodized) (<input checked="" type="checkbox"/> R Round Only) <input type="checkbox"/> WT Wheat (Anodized) (<input checked="" type="checkbox"/> R Round Only)	<input checked="" type="checkbox"/> SW Self-Flanged (With Painted White Trim)
--	---	---	---

QUICK VIEW

