



FEATURES

**LED LIGHT ENGINE**

**WATTS/LUMENS:**

- Type IC: 10W/700 lm
- Type IC and Non-Type IC: 15W/1000 lm or 20W/1400 lm
- Non-Type IC: 25W/1700 lm, 30W/2100 lm, or 40W/2800 lm

**CRI:** 91 (Upgrade to 97 CRI [R9=90] available via special/custom order. See Optional section below.)

**CCT:** 2700K, 3000K, 3500K, or 4000K

**BINNING:** 3 SDCM

**THERMAL MANAGEMENT:** Passive

**LIFE (RATED):** 50,000 hours based on LED testing per LM80-08 and projected values from IESNA TM21-11.

**LED DRIVER**

**OUTPUT POWER SUPPLY:** Class II

**POWER FACTOR (P<sub>f</sub>):** >.9

**THD:** <10%

**INPUT VOLTAGE:**

120V/277V at 50/60 Hz (See Voltage Below)

**DIMMING:**

- TRIAC/ELV, 5% (120V AC Only)
- 0-10V, 10% (120V/277V)
- See Dimming below for more options.

**COMPATIBLE TRIMS**

**FINISH/COLORS/TRIM:**

- See Compatible Trim Specification Sheets
  - 6032
  - 6033

**OPTICS**

**BEAM ANGLES:** 18°, 24°, 36°, or 60°

**ADJUSTABLE/LOCKABLE AIMING:**

Up to 40° tilt (0° to 40° degrees from vertical axis). Up to 359° rotation around vertical axis.

**INSTALLATION**

**CEILING:**

- Accommodates Up to 1¼" Thickness
- Type IC or Non-Type IC
  - Type IC Suitable for Direct Contact with Insulation
  - Non-Type IC Insulation to Be Kept 3" Away
- 4" Ceiling Cutout Size

**MOUNTING:**

- Integrated Universal Mounting Brackets
  - Advanced High-Strength Steel (AHSS)
- Hanger Bars (Sold Separately) (See Below)

**J-BOX WIRING:**

Integral Thru-Branch, 4 In/4 Out

**OPTIONAL BACKUP BATTERY**

**BATTERY LED LOAD:**

- Up to 7 Watts at 600 Lumens Minimum for 90 Minutes
- Up to 25 Watts at 1750 Lumens Minimum for 90 Minutes

**COMPLIANCES/WARRANTY**

**cETLus LISTED**

**FCC COMPLIANT**

**5-YEAR LIMITED WARRANTY\***

**RoHS COMPLIANT**

**SUITABLE FOR DAMP LOCATIONS\*\***

**LED**

**RECESSED DOWNLIGHT**

\* Excessive heat due to hot installation location will lead to early failures and such damage is not warranted.

\*\* Suitable for showers and exterior use only when using a properly installed wet location trim. Bug and/or dust intrusion can lead to early LED failures. Damp and wet location rating does not mean water proof. Only mount downlight fixtures in cavity protected from water intrusion. If used outdoors, use the #6031 trim and seal the trim piece with latex sealant to block insect intrusion. If insects can get into ceiling cavity, consider using a Type IC downlight fixture.



Catalog #:

Type:

Project:

Prepared By:

**AT A GLANCE**

3" internally adjustable LED recessed downlight. High-performance, specification-grade luminaire ideal for numerous applications such as retail and hospitality. Features up to 2800 delivered lumens, a variety of color temperature options (2700K, 3000K, 3500K, and 4000K), multiple beam angles (18°, 24°, 36°, or 60°), and two standard dimming options (flicker-free TRIAC/ELV, 5% and 0-10V dimming, 10%). Trims available in round or square apertures.

**ORDER CONFIGURATOR**

To order, select one option from each table column to configure the desired recessed downlight product catalog code. Then, fill in the boxes below (e.g., Recessed Downlight #: RL3A-35-07-60-L010-IC-U). To order trims, use the corresponding specification sheet(s) for the desired compatible trim series. To order additional items (optional), up to one option from each table column can be selected from the Optional section. Then, fill in the dashed box(es).

**RECESSED DOWNLIGHT #**

RL3A - [ ] - [ ] - [ ] - [ ] - [ ] - [ ]

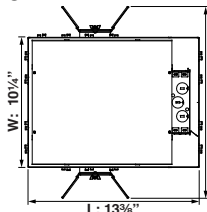
RD MODEL	CCT	LUMENS	OPTICS	DIMMING	ICTYPE	VOLTAGE
<input checked="" type="checkbox"/> RL3A	<input type="checkbox"/> 27 2700K <input type="checkbox"/> 30 3000K <input type="checkbox"/> 35 3500K <input type="checkbox"/> 40 4000K	<input type="checkbox"/> 07 700 lm (Non-Type/Type IC) <input type="checkbox"/> 10 1000 lm (Non-Type/Type IC) <input type="checkbox"/> 14 1400 lm (Non-Type/Type IC) <input type="checkbox"/> 17 1700 lm (Non-Type IC only) <input type="checkbox"/> 21 2100 lm (Non-Type IC only)	<input type="checkbox"/> 18 18° <input type="checkbox"/> 24 24° <input type="checkbox"/> 36 36° <input type="checkbox"/> 60 60°	<input type="checkbox"/> LELV Flicker-Free TRIAC/ELV, 5% (120V only) <input type="checkbox"/> L010 0 to 10V Dimming, 10% <input type="checkbox"/> LUTIII Lutron Hi-Lume, 1% <input type="checkbox"/> LUTECO Lutron Ecosystem, 1% <input type="checkbox"/> LDALI Dali, 1%	<input type="checkbox"/> IC Type IC <input type="checkbox"/> NC Non-Type	<input type="checkbox"/> UNV 120V-277V (LELV dimming is 120V only)

**OPTIONAL**

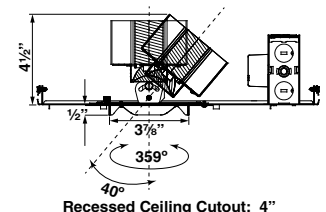
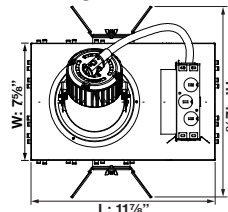
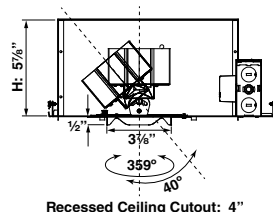
EMERGENCY BATTERY BACKUPS**	HANGER BARS (SOLD SEPARATELY)	CRI UPGRADE
<input type="checkbox"/> EMB07 7W <input type="checkbox"/> EMB25 25W	<input type="checkbox"/> HBC C Channel <input type="checkbox"/> HBF Flat Style <input type="checkbox"/> HBJ Wood Joist	<input type="checkbox"/> CRI97 CRI 97; R9=90 (2700K, 3000K and 4000K Only) <input type="checkbox"/> VIVID (See Citizen® Vivid™ Series Brilliant Type for details.)

(\*\*Note: EMB is field installed by electrician. See EMB spec sheet.)

**TYPE IC**



**NON-TYPE IC**





### FEATURES



#### WALL WASH

##### DESIGN:

Self-Flanged, Two-Piece Construction

#### REFLECTOR

##### FINISHES:

- Painted
  - Black
  - White
- Anodized
  - Clear
  - Haze

**MATERIAL:** .06 in. Thick Specification-Grade Aluminum Alloy

##### PRODUCTION PROCESS:

CNC Precision-Spun

#### FLANGE

**MATERIAL:** Die-Cast Aluminum

**FINISHES:** Painted White or Black

#### COMPATIBILITY

##### RECESSED DOWNLIGHTS:

- RL3A Series

#### WARRANTY

**5-YEAR LIMITED WARRANTY**

Catalog #:

Type:

Project:

Prepared By:

#### AT A GLANCE

Wall wash trim for the *QuantaLight* RL3A 3" diameter recessed downlight series. Features a round aperture, white or black trim flange, and an assortment of reflector finishes. Flange is die-cast aluminum, and reflector is CNC precision-spun aluminum.

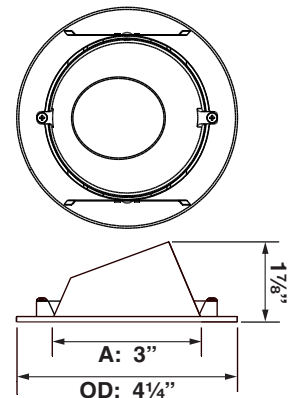
## ORDER CONFIGURATOR

To order, select one option from each table column to configure the desired wall wash trim product catalog code. Then, fill in the boxes below (Example: Wall Wash Trim #: 6032-R-WH-SW). To order recessed downlights, use the corresponding specification sheet for the compatible RL3A recessed downlight series.

### WALL WASH TRIM #

6032	R		
WALL WASH TRIM MODEL	SHAPE	REFLECTOR FINISH	FLANGE FINISH
<input checked="" type="checkbox"/> 6032	<input checked="" type="checkbox"/> R Round	<input type="checkbox"/> BK Black (Painted) <input type="checkbox"/> WH White (Painted) <input type="checkbox"/> CL Clear (Anodized) <input type="checkbox"/> HZ Haze (Anodized)	<input type="checkbox"/> SW Self-Flanged (Painted White Trim) <input type="checkbox"/> SB Self-Flanged (Painted Black Trim)

#### QUICK VIEW



FEATURES   

**BEVEL **

**DESIGN:** Flangeless (Mud Ring Included), Two-Piece Construction

**FINISH/COLORS/TRIM:** Painted (Black or White)

**PRODUCTION PROCESS:** CNC Precision-Spun

**MATERIAL:** Specification-Grade Aluminum Alloy, .060" Thick

**LENS COVER:** Clear Glass

**COMPATIBILITY**

**RECESSED DOWNLIGHTS:**

- RL3A Series
- RL3V Series
- RL3VR Series

**COMPLIANCES/WARRANTY**

-  **5-YEAR LIMITED WARRANTY**
-  **SUITABLE FOR DAMP LOCATIONS**
-  **LED**
  - **BEVEL/TRIM**



Catalog #:

Type:

Project:

Prepared By:

**AT A GLANCE**

Shallow, splay style downlight trim series for the RL3, 3" diameter recessed downlights. The trims are available in a round aperture in black or white. Made from die-cast aluminum, the trims can be painted to meet the needs of the most difficult of applications. The trims are configured for flangeless installations (mud ring included).

**ORDER CONFIGURATOR**

To order, select one option from each table column to configure the desired bevel/trim product catalog code. Then, fill in the boxes below (e.g., Bevel/Trim #: 6033-R-WH-NF). To order recessed downlights, use the corresponding specification sheet(s) for the desired compatible recessed downlight series.

**BEVEL/TRIM #**

6033			NF
<b>B/T MODEL</b>	<b>SHAPE</b>	<b>FINISH/COLOR</b>	<b>FLANGE</b>
<input checked="" type="checkbox"/> 6033	<input type="checkbox"/> R Round	<input type="checkbox"/> BK Black (Painted) <input type="checkbox"/> WH White (Painted)	<input checked="" type="checkbox"/> NF No Flange (Flangeless)

**QUICK VIEW**

