

FEATURES

LED LIGHT ENGINE

WATTS/LUMENS:
15W/1000 lm, 20W/1400 lm, 25W/1700 lm, 30W/2100 lm, and 40W/2800 lm

CRI: 91 (Upgrade to 97 CRI [R9=90] available via special/custom order. See Optional section below.)

CCT: 2700K, 3000K, 3500K, or 4000K

BINNING: 3 SDCM

THERMAL MANAGEMENT: Passive

LIFE (RATED): 50,000 hours based on LED testing per LM80-08 and projected values from IESNA TM21-11.

LED DRIVER

OUTPUT POWER SUPPLY: Class II

POWER FACTOR (Pf): >.9

THD: <10%

INPUT VOLTAGE:
120V/277V at 50/60 Hz (See Voltage Below)

DIMMING:

- TRIAC/ELV, 5% (120V AC Only)
- 0-10V, 10% (120V/277V)
- See Dimming below for more options.

COMPATIBLE TRIMS

FINISH/COLORS/TRIM:

- See Compatible Trim Specification Sheets
 - 6029
 - 6031
 - 6033
 - 6038

OPTICS

BEAM ANGLES: 18°, 24°, 36°, or 60°

INSTALLATION

CEILING:

- Accommodates Up to 1¼" Thickness
- Non-Type IC Insulation to Be Kept 3" Away
- 3⅞" Ceiling Cutout Size
- Maintenance Access from Above and Below Ceiling

MOUNTING: Integral Mounting Clips Secures Unit to Ceiling

J-BOX WIRING: Integral Thru-Branch, 4 In/4 Out

EMERGENCY BACKUP BATTERY

BATTERY LED LOAD:

- Up to 7 Watts at 600 Lumens Minimum for 90 Minutes
- Up to 20 Watts at 1750 Lumens Minimum for 90 Minutes
- Remote Test Switch Included

COMPLIANCES/WARRANTY

cETLus LISTED

FCC COMPLIANT

5-YEAR LIMITED WARRANTY*

RoHS COMPLIANT

SUITABLE FOR DAMP LOCATIONS**

LED

RECESSED DOWNLIGHT

* Excessive heat due to hot installation location will lead to early failures and such damage is not warranted.

** Suitable for showers and exterior use only when using a properly installed wet location trim. Bug and/or dust intrusion can lead to early LED failures. Damp and wet location ratings do not mean water proof. Only mount downlight fixtures in cavity protected from water intrusion. If used outdoors, seal the trim piece with latex sealant to block insect intrusion. If insects can get into ceiling cavity, consider using a Type IC downlight fixture.

Catalog #:

Type:

Project:

Prepared By:

AT A GLANCE

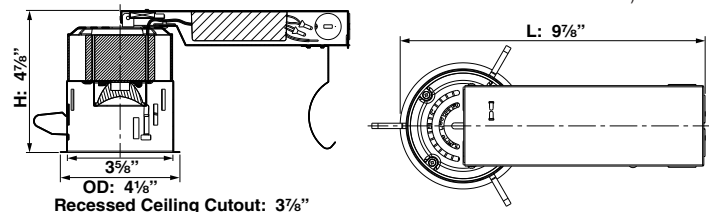
3" vertical, fixed-position LED recessed remodel downlight. High-performance, specification-grade remodel ideal for numerous applications such as retail and hospitality. Features up to 2800 delivered lumens, a variety of color temperature options (2700K, 3000K, 3500K, and 4000K), multiple beam angles (18°, 24°, 36°, or 60°), and two standard dimming options (flicker-free TRIAC/ELV, 5% and 0-10V dimming, 10%). Trims available in round or square apertures.

ORDER CONFIGURATOR

To order, select one option from each table column to configure the desired recessed downlight product catalog code. Then, fill in the boxes below (e.g., Remodel Downlight #: RL3VR-35-17-60-LUTEKO-NC-2). To order trims, use the corresponding specification sheet(s) for the desired compatible trim series. To order additional items (optional), up to one option from each table column can be selected from the Optional section. Then, fill in the dashed box(es).

REMODEL DOWNLIGHT #							OPTIONAL	
RD MODEL	CCT	LUMENS	OPTICS	DIMMING	IC TYPE	VOLTAGE	EMERGENCY BATTERY BACKUPS**	CRI UPGRADE
<input checked="" type="checkbox"/> RL3VR	<input type="checkbox"/> 27 2700K <input type="checkbox"/> 30 3000K <input type="checkbox"/> 35 3500K <input type="checkbox"/> 40 4000K	<input type="checkbox"/> 10 1000 lm <input type="checkbox"/> 14 1400 lm <input type="checkbox"/> 17 1700 lm <input type="checkbox"/> 21 2100 lm	<input type="checkbox"/> 18 18° <input type="checkbox"/> 24 24° <input type="checkbox"/> 36 36° <input type="checkbox"/> 60 60°	<input type="checkbox"/> LELV Flicker-Free TRIAC/ELV, 5% (120V Only) <input type="checkbox"/> L010 0 to 10V Dimming, 10% <input type="checkbox"/> LUTIII Lutron Hi-Lume, 1% <input type="checkbox"/> LUTEKO Lutron Ecosystem, 1% <input type="checkbox"/> LDALI Dali, 1%	<input checked="" type="checkbox"/> NC Non-Type IC	<input type="checkbox"/> UNV 120V-277V (LELV dimming is 120V only)	<input type="checkbox"/> EMB07 7W <input type="checkbox"/> EMB25 25W (Field Installed)	<input type="checkbox"/> CRI97 CRI 97; R9=90 (2700K, 3000K and 4000K Only) <input type="checkbox"/> VIVID (See Citizen® Vivid™ Series Brilliant Type for details.)

QUICK VIEW



**Note: Emergency Battery Backups (EMB) for recessed light fixtures are typically remotely located, usually just above the fixture. They do not come pre-wired to the fixture. Wiring to the fixture's driver is done by the electrician. See EMB specification sheet on our website for details.

FEATURES   

DOWNLIGHT/TRIM

DESIGN:

Self-Flanged, Two-Piece Construction

FINISH/COLORS/TRIM:

Painted (Black or White) or Anodized (Clear, Haze, or Wheat); Painted White Flange Trim

PRODUCTION PROCESS:

CNC Precision-Spun

MATERIAL: Specification-Grade Aluminum Alloy, .060" Thick

LENS COVER: Clear Glass

COMPATIBILITY

RECESSED DOWNLIGHTS:

- RL3A Series
- RL3V Series
- RL3VR Series

COMPLIANCES/WARRANTY

 **5-YEAR LIMITED WARRANTY**

 **SUITABLE FOR DAMP LOCATIONS**

 **LED**

- **DOWNLIGHT/TRIM**



Catalog #:

Type:

Project:

Prepared By:

AT A GLANCE

Symmetrical output, downlight style trim series for the RL3, 3" diameter recessed downlights. The trims are available in either round or square apertures as well as an assortment of colors and finishes. Made from die-cast aluminum, the trims can be painted or anodized to meet the needs of the most difficult of applications. The trims are configured for flanged installations.

ORDER CONFIGURATOR

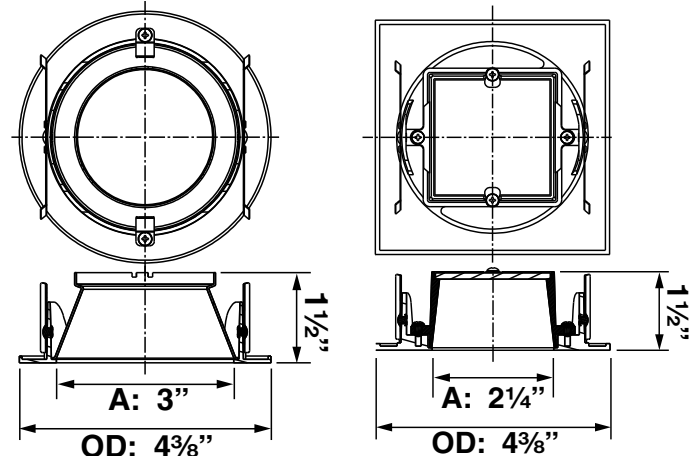
To order, select one option from each table column to configure the desired downlight/trim product catalog code. Then, fill in the boxes below (e.g., Downlight/Trim #: 6029-R-WH-SW). To order recessed downlights, use the corresponding specification sheet(s) for the desired compatible recessed downlight series.

DOWNLIGHT/TRIM

6029			SW
------	--	--	----

D/T MODEL	SHAPE	FINISH/COLOR	FLANGE
<input checked="" type="checkbox"/> 6029	<input type="checkbox"/> R Round <input type="checkbox"/> S Square	<input type="checkbox"/> BK Black (Painted) (<input checked="" type="checkbox"/> R Round or <input checked="" type="checkbox"/> S Square) <input type="checkbox"/> WH White (Painted) (<input checked="" type="checkbox"/> R Round or <input checked="" type="checkbox"/> S Square) <input type="checkbox"/> CL Clear (Anodized) (<input checked="" type="checkbox"/> R Round Only) <input type="checkbox"/> HZ Haze (Anodized) (<input checked="" type="checkbox"/> R Round Only) <input type="checkbox"/> WT Wheat (Anodized) (<input checked="" type="checkbox"/> R Round Only)	<input checked="" type="checkbox"/> SW Self-Flanged (With Painted White Trim)

QUICK VIEW



FEATURES  

SHOWER

DESIGN:

Self-Flanged, Two-Piece Construction

FINISH/COLORS/TRIM:

White Reflector covered by frosted glass;

White Flange

PRODUCTION PROCESS:

CNC Precision-Spun

MATERIAL: Specification-Grade Aluminum

Alloy, .060" Thick

LENS COVER: Sealed and Frosted Glass

COMPATIBILITY

RECESSED DOWNLIGHTS:

- RL3V Series
- RL3VR Series

COMPLIANCES/WARRANTY

 **5-YEAR LIMITED WARRANTY**

 **SUITABLE FOR WET LOCATIONS**

- **SHOWER/TRIM**

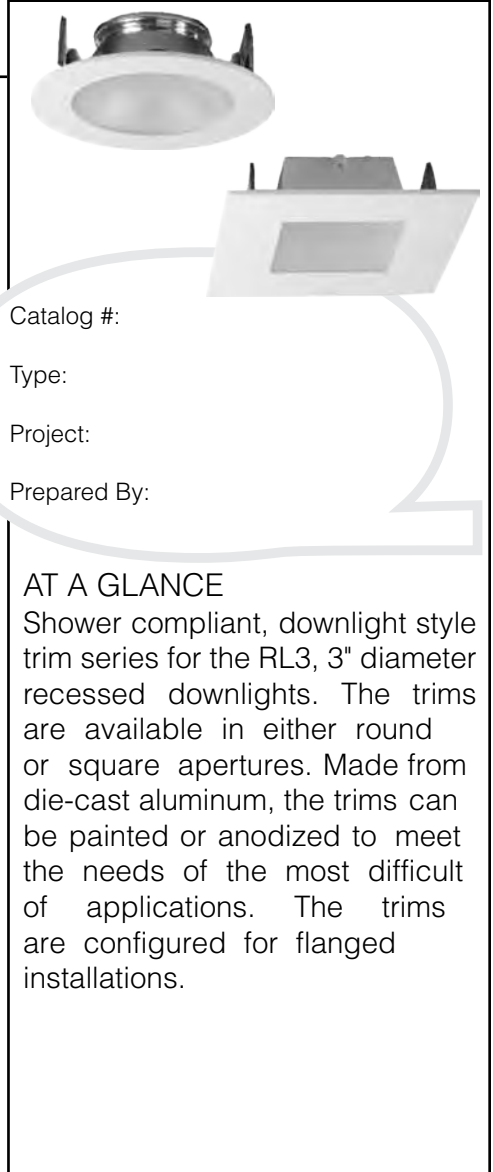
NOTES:

The internal reflector (located behind the frosted glass) comes in white only.

Combined with the frosted glass, a white reflector helps provide smooth light output.

The ceiling cutout should be 4 inches. Any larger will risk the hole being visible.

Damp and wet location ratings do not mean water proof. Only mount downlight fixtures in cavity protected from water intrusion. Not for use in car wash or similar applications where the exposed trim will be sprayed with force. If used outdoors, seal the trim piece with latex sealant to block insect intrusion. If insects can get into ceiling cavity, use a Type IC downlight fixture.



ORDER CONFIGURATOR

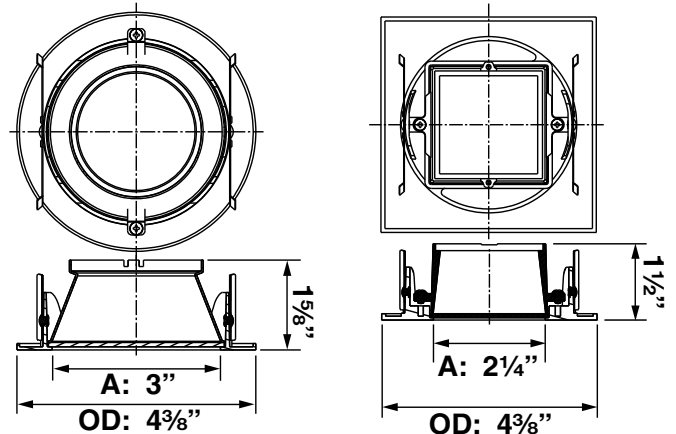
To order, select one option from each table column to configure the desired shower/trim product catalog code. Then, fill in the boxes below (e.g., Shower/Trim #: 6031-S-WH-SW). To order recessed downlights, use the corresponding specification sheet(s) for the desired compatible recessed downlight series.

SHOWER/TRIM

6031		W	SW
S/T MODEL	SHAPE	FINISH/COLOR	FLANGE
<input checked="" type="checkbox"/> 6031	<input type="checkbox"/> R Round <input type="checkbox"/> S Square	<input type="checkbox"/> WH White (Painted); <input checked="" type="checkbox"/> R Round or <input checked="" type="checkbox"/> S Square	<input checked="" type="checkbox"/> SW Self-Flanged (White)

NOTE: Behind the frosted glass, the internal reflector comes in white only. Combined with the frosted glass, a white reflector helps provide a smooth light output.

QUICK VIEW



FEATURES   

BEVEL 

DESIGN: Flangeless (Mud Ring Included), Two-Piece Construction

FINISH/COLORS/TRIM: Painted (Black or White)

PRODUCTION PROCESS: CNC Precision-Spun

MATERIAL: Specification-Grade Aluminum Alloy, .060" Thick

LENS COVER: Clear Glass

COMPATIBILITY

RECESSED DOWNLIGHTS:

- RL3A Series

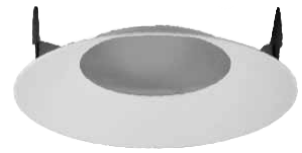
COMPLIANCES/WARRANTY

 **5-YEAR LIMITED WARRANTY**

 **SUITABLE FOR DAMP LOCATIONS**

 **LED**

- **BEVEL/TRIM**



Catalog #:

Type:

Project:

Prepared By:

AT A GLANCE

Shallow, splay style downlight trim series for the RL3A, 3" diameter recessed downlights. The trims are available in a round aperture in black or white. Made from die-cast aluminum, the trims can be painted to meet the needs of the most difficult of applications. The trims are configured for flangeless installations (mud ring included).

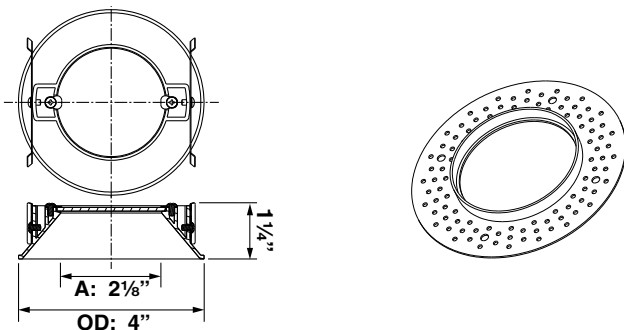
ORDER CONFIGURATOR

To order, select one option from each table column to configure the desired bevel/trim product catalog code. Then, fill in the boxes below (e.g., Bevel/Trim #: 6033-R-WH-NF). To order recessed downlights, use the corresponding specification sheet(s) for the desired compatible recessed downlight series.

BEVEL/TRIM #

6033			NF
B/T MODEL	SHAPE	FINISH/COLOR	FLANGE
<input checked="" type="checkbox"/> 6033	<input type="checkbox"/> R Round	<input type="checkbox"/> BK Black (Painted) <input type="checkbox"/> WH White (Painted)	<input checked="" type="checkbox"/> NF No Flange (Flangeless)

QUICK VIEW





FEATURES

FLANGELESS

DESIGN:
Two-Piece Construction (reflector and a mud ring)

REFLECTOR

- FINISHES:**
- Painted
 - Black
 - White
 - Custom Colors (by special order)

MATERIAL:
Die-cast Aluminum

MUD RING

Cast Aluminum
FINISH: Painted White

COMPATIBILITY

- RECESSED DOWNLIGHTS:**
- RL3V and RL3VR Series

WARRANTY

 **5-YEAR LIMITED WARRANTY**

Catalog #:

Type:

Project:

Prepared By:

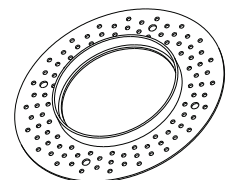
AT A GLANCE
Flangeless downlight trim for the *QuantaLight* RL3V and RL3VR series. Features a 3" round aperture. White or black. Custom colors are also available. Made of die-cast aluminum. Mud ring included.

ORDER CONFIGURATOR

To order, select one option from each table column to configure the desired wall wash trim product catalog code. Then, fill in the boxes below (Example: Flangeless Trim #: 6038-R-WH-FL). To order recessed downlights, use the corresponding specification sheet for the compatible RL3V or RL3VR recessed downlight series.

WALL WASH TRIM

6038	R		NF
WALL WASH TRIM MODEL	SHAPE	REFLECTOR FINISH	FLANGE
<input checked="" type="checkbox"/> 6038	<input checked="" type="checkbox"/> R Round	<input type="checkbox"/> BK Black (Painted) <input type="checkbox"/> WH White (Painted) <input type="checkbox"/> CST Custom	<input checked="" type="checkbox"/> NF No Flange (i.e., flangeless)



Mud ring included.