



### LED LIGHT ENGINE

#### WATTS/LUMENS:

15W/1000 lm, 20W/1400 lm, 25W/1700 lm, 30W/2100 lm, or 40W/2800 lm

**CRI:** 91 (Upgrades to higher CRI are available via special order. See CRI Choices and Optional sections below.)

**CCT:** 2700K, 3000K, 3500K, or 4000K

**BINNING:** 3 SDCM

**THERMAL MANAGEMENT:** Passive

**LIFE (RATED):** 50,000 hours based on LED testing per LM80-08 and projected values from IESNA TM21-11.

### LED DRIVER

**OUTPUT POWER SUPPLY:** Class II

**POWER FACTOR (P<sub>f</sub>):** >.9

**THD:** <10%

**INPUT VOLTAGE:**

120V/277V at 50/60 Hz (See Voltage Below)

**DIMMING:**

- TRIAC/ELV, 5% (120V AC Only)
- 0-10V, 10% (120V/277V)
- See Dimming below for more options.

### COMPATIBLE TRIMS

**FINISH/COLORS/TRIM:**

- See Compatible Trim Specification Sheets
- Trim 6023; Trim 6024; Trim 6026

### OPTICS

**BEAM ANGLES:** 18°, 24°, 36°, or 60°

**CRI CHOICES:** CRI91 is standard. Options included CRI 97, R9=90 (2700K, 3000K and 4000K only); and Citizen® Vivid™ Series, Brilliant Type, various color temperatures (great for retail stores). See the Citizens website for Vivid Series specifications.

### INSTALLATION

#### CEILING:

- Low-Profile, IC Enclosure (8Wx12.5Lx2.5"H)
- Accommodates Up to 1 1/4" Thickness
- Maintenance Access from Above and Below Ceiling (easy driver replacement)

#### MOUNTING:

- Integrated Universal Mounting Brackets
- Hanger Bars (Sold Separately - See Below)

#### J-BOX WIRING:

Integral Thru-Branch, 4 In/4 Out

### EMERGENCY BACKUP BATTERY

#### BATTERY LED LOAD:

- Up to 7 Watts at 600 Lumens Minimum for 90 Minutes
- Up to 20 Watts at 1750 Lumens Minimum for 90 Minutes
- Remote Test Switch Included

### COMPLIANCES/WARRANTY

- Ⓢ cETLus LISTED
- Ⓢ FCC COMPLIANT
- Ⓢ 5-YEAR LIMITED WARRANTY\*
- Ⓢ RoHS COMPLIANT
- Ⓢ SUITABLE FOR DAMP LOCATIONS\*\*
- Ⓢ LED DOWNLIGHT

\* Excessive heat due to hot installation location will lead to early failures and such damage is not warranted.

\*\* Suitable for showers and exterior use only when using a properly installed wet location trim. Bug and/or dust intrusion can lead to early LED failures. Damp and wet location ratings do not mean water proof. Only mount downlight fixtures in cavity protected from water intrusion. If used outdoors, seal the trim piece with latex sealant to block insect intrusion. If insects can get into ceiling cavity, consider using a Type IC downlight fixture.



Catalog #:

Type:

Project:

Prepared By:

### AT A GLANCE

4" Low-Profile, fixed position recessed LED downlight. High-performance, specification-grade luminaire ideal for numerous applications such as office, retail and residential. Features up to 2800 delivered lumens, a variety of color temperature options (2700K, 3000K, 3500K, and 4000K). Multiple beam angles (18°, 24°, 36°, or 60°). Two standard dimming options: flicker-free TRIAC/ELV (to 5%) and 0-10V (to 10%). Trims available in round or square apertures.

## ORDER CONFIGURATOR

To order, select one option from each table column to configure the desired recessed downlight product catalog code. Then, fill in the boxes below (e.g., Recessed Downlight #: RL4VL-35-14-60-L010-NC-2). To order trims, use the corresponding specification sheet(s) for the desired compatible trim series. To order additional items (optional), up to one option from each table column can be selected from the Optional section (fill in the dashed box).

### RECESSED DOWNLIGHT #

RL4VL						UN
MODEL	CCT	LUMENS	OPTICS	DIMMING	IC TYPE	VOLTAGE
<input checked="" type="checkbox"/> RL4VL	<input type="checkbox"/> 27 2700K <input type="checkbox"/> 30 3000K <input type="checkbox"/> 35 3500K <input type="checkbox"/> 40 4000K	<input type="checkbox"/> 10 1000 lm <input type="checkbox"/> 14 1400 lm <input type="checkbox"/> NC for these: <input type="checkbox"/> 17 1700lm <input type="checkbox"/> 21 2100 lm <input type="checkbox"/> 28 2800 lm	<input type="checkbox"/> 18 18° <input type="checkbox"/> 24 24° <input type="checkbox"/> 36 36° <input type="checkbox"/> 60 60°	<input type="checkbox"/> LELV Flicker-Free TRIAC/ELV, 5% (120V Only) <input type="checkbox"/> L010 0 to 10V Dimming, 10% <input type="checkbox"/> LUTIII Lutron Hi-Lume, 1% <input type="checkbox"/> LUTECO Lutron Ecosystem, 1% <input type="checkbox"/> LDALI Dali, 1%	<input type="checkbox"/> IC Type IC (Up to 1400lm only)** <input type="checkbox"/> NC non-type IC	<input type="checkbox"/> UNV 120V-277V (LELV dimming is 120V only)

### OPTIONAL

EMERGENCY BATTERY BACKUPS*	HANGER BARS (SOLD SEPARATELY)	CRI UPGRADE
<input type="checkbox"/> EMB07 7W <input type="checkbox"/> EMB25 25W (*field installed)	<input type="checkbox"/> HBC C Channel <input type="checkbox"/> HBF Flat Style <input type="checkbox"/> HBJ Wood Joist	<input type="checkbox"/> CRI97 <input type="checkbox"/> VIVID Series (See CRI Choices above for details.)

\*\*Note: All versions have same metal box, but 1700lm and up can not have direct contact because they need extra cooling.



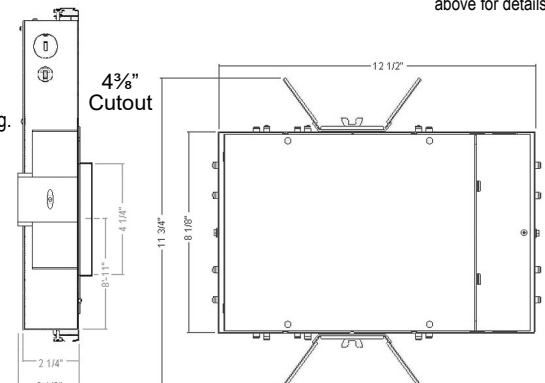
#### Below Ceiling Driver Access

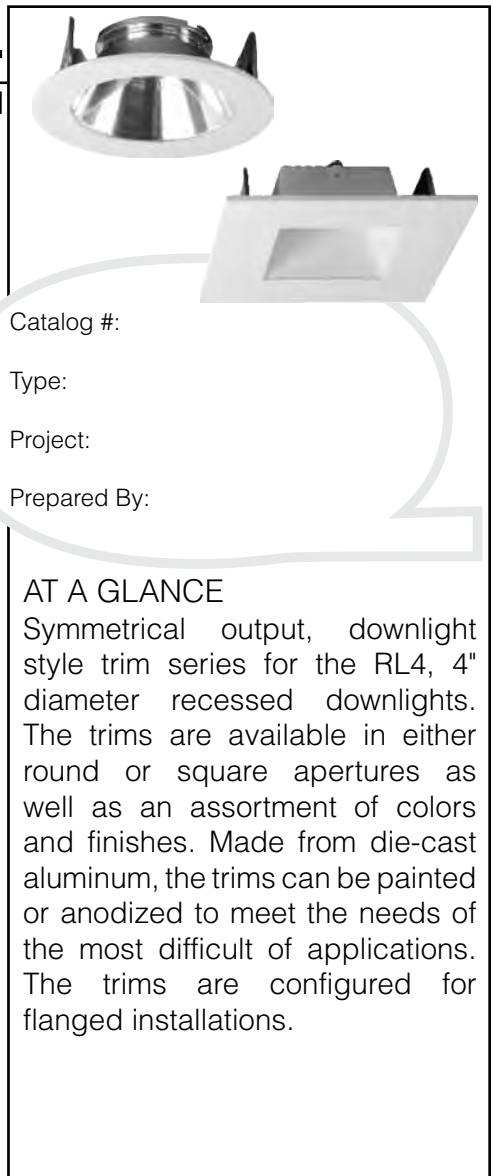
Should it ever be needed, this downlight features an easy to replace driver with access from below the ceiling.



#### Easy Wiring Access

Easy access to the driver for fast wiring. Four knock-outs allow multiple routing options.





FEATURES

## DOWNLIGHT/TRIM

**DESIGN:**  
Self-Flanged, Two-Piece Construction

**FINISH/COLORS/TRIM:**  
Painted (Black or White) or Anodized (Clear, Haze, or Wheat); Painted White Flange Trim

**PRODUCTION PROCESS:**  
CNC Precision-Spun

**MATERIAL:** Specification-Grade Aluminum Alloy, .060" Thick

**LENS COVER:** Clear Glass

## COMPATIBILITY

- RECESSED DOWNLIGHTS:**
- RL4V Series
  - RL4VR Series
  - RL4A Series (this trim limits aiming range of A series)

## COMPLIANCES/WARRANTY

- 5-YEAR LIMITED WARRANTY
- SUITABLE FOR DAMP LOCATIONS
- LED
- DOWNLIGHT/TRIM

Catalog #:

Type:

Project:

Prepared By:

### AT A GLANCE

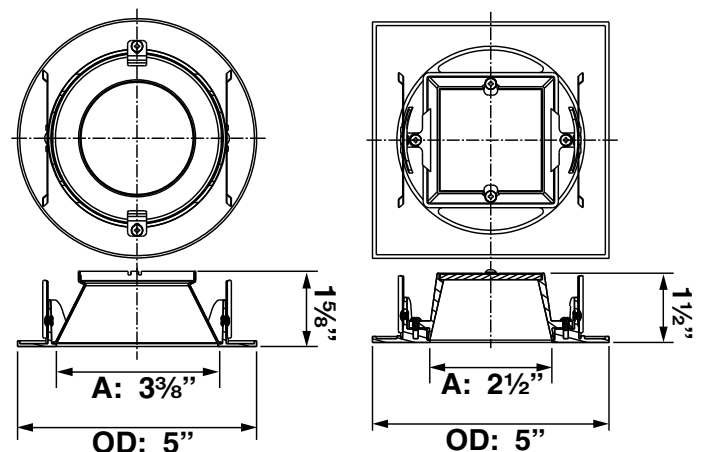
Symmetrical output, downlight style trim series for the RL4, 4" diameter recessed downlights. The trims are available in either round or square apertures as well as an assortment of colors and finishes. Made from die-cast aluminum, the trims can be painted or anodized to meet the needs of the most difficult of applications. The trims are configured for flanged installations.

## ORDER CONFIGURATOR

To order, select one option from each table column to configure the desired downlight/trim product catalog code. Then, fill in the boxes below (e.g., Downlight/Trim #: 6024-R-WH-SW). To order recessed downlights, use the corresponding specification sheet(s) for the desired compatible recessed downlight series.

### DOWNLIGHT/TRIM #

6024			SW
D/T MODEL	SHAPE	FINISH/COLOR	FLANGE
<input checked="" type="checkbox"/> 6024	<input type="checkbox"/> R Round <input type="checkbox"/> S Square	<input type="checkbox"/> BK Black (Painted) ( <input checked="" type="checkbox"/> R Round or <input checked="" type="checkbox"/> S Square) <input type="checkbox"/> WH White (Painted) ( <input checked="" type="checkbox"/> R Round or <input checked="" type="checkbox"/> S Square) <input type="checkbox"/> CL Clear (Anodized) ( <input checked="" type="checkbox"/> R Round Only) <input type="checkbox"/> HZ Haze (Anodized) ( <input checked="" type="checkbox"/> R Round Only)	<input checked="" type="checkbox"/> SW Self-Flanged (With Painted White Trim)



FEATURES  

## SHOWER

**DESIGN:**  
Self-Flanged, Two-Piece Construction

**FINISH/COLORS/TRIM:**  
Painted (Black or White) or Anodized (Clear, Haze, or Wheat); Painted White Flange Trim

**PRODUCTION PROCESS:**  
CNC Precision-Spun

**MATERIAL:** Specification-Grade Aluminum Alloy, .060" Thick




**LENS COVER:** Sealed and Frosted Glass

## COMPATIBILITY

**RECESSED DOWNLIGHTS:**

- RL4V Series
- RL4VR Series

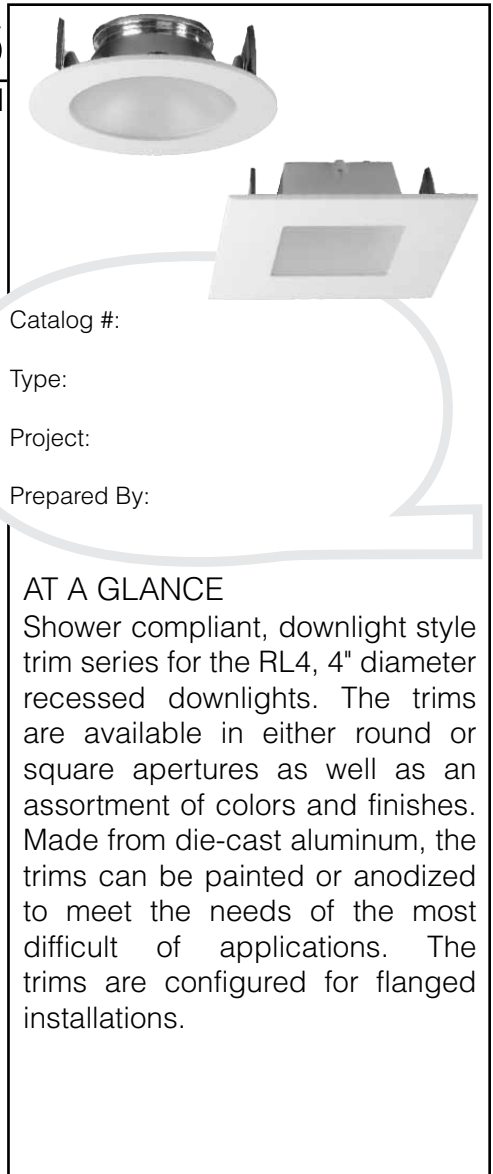
## COMPLIANCES/WARRANTY

-  5-YEAR LIMITED WARRANTY
-  SUITABLE FOR WET LOCATIONS
-  LED
  - SHOWER/TRIM

**NOTES:**  
The internal reflector (located behind the frosted glass) comes in white only. Combined with the frosted glass, a white reflector helps provide smooth light output.

The ceiling cutout should be 4 3/8 inches. Any larger will risk the hole being visible.

Damp and wet location ratings do not mean water proof. Only mount downlight fixtures in cavity protected from water intrusion. Not for use in car wash or similar applications where the exposed trim will be sprayed with force. If used outdoors, seal the trim piece with latex sealant to block insect intrusion. If insects can get into ceiling cavity, use a Type IC downlight fixture.

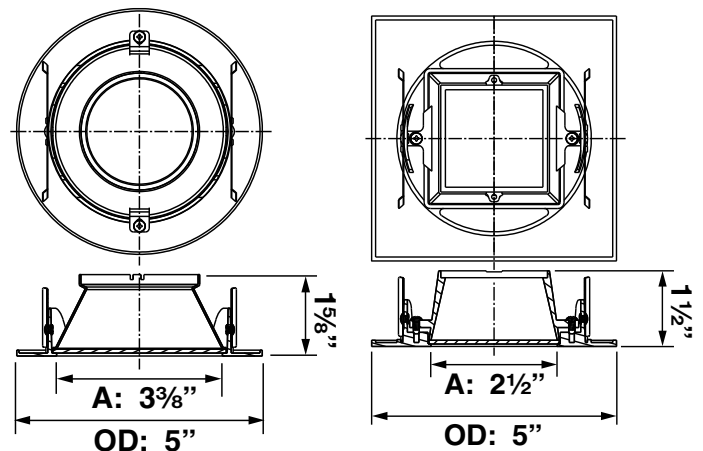


## ORDER CONFIGURATOR

To order, select one option from each table column to configure the desired shower/trim product catalog code. Then, fill in the boxes below (e.g., Shower/Trim #: 6026-R-WH-SW). To order recessed downlights, use the corresponding specification sheet(s) for the desired compatible recessed downlight series.

### SHOWER/TRIM #

6026			SW
S/T MODEL	SHAPE	FINISH/COLOR	FLANGE
<input checked="" type="checkbox"/> 6026	<input type="checkbox"/> R Round <input type="checkbox"/> S Square <input type="checkbox"/> WH White (Painted) <input checked="" type="checkbox"/> R Round or <input checked="" type="checkbox"/> S Square	<input type="checkbox"/> WH White (Painted) <input checked="" type="checkbox"/> R Round or <input checked="" type="checkbox"/> S Square <input type="checkbox"/> WH White (Painted) <input checked="" type="checkbox"/> R Round or <input checked="" type="checkbox"/> S Square	<input checked="" type="checkbox"/> SW Self-Flanged (With Painted White Flange)





### FEATURES



#### FLANGELESS

#### DESIGN:

Two-Piece Construction (reflector and a mud ring)

#### REFLECTOR

#### FINISHES:

- Painted
  - Black
  - White
  - Custom Colors (by special order)

#### MATERIAL:

Die-cast Aluminum

#### MUD RING

Cast Aluminum

**FINISH:** Painted White

#### COMPATIBILITY

#### RECESSED DOWNLIGHTS:

- RL4V and RL4VR Series

#### WARRANTY

5-YEAR LIMITED WARRANTY

For use with LED downlights

Catalog #:

Type:

Project:

Prepared By:

#### AT A GLANCE

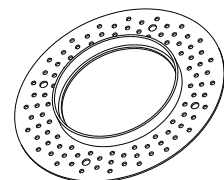
Flangeless downlight trim for the *QuantaLight* RL4V and RL4VR series. Features a 4" round aperture in White or black. Custom colors are available. Made of die-cast aluminum. Mud ring included.

### ORDER CONFIGURATOR

To order, select one option from each table column to configure the desired wall wash trim product catalog code. Then, fill in the boxes below (Example: Flangeless Trim #: 6023-R-WH-FL). To order recessed downlights, use the corresponding specification sheet for the compatible RL3V or RL3VR recessed downlight series.

#### WALL WASH TRIM #

6023	R		NF
WALL WASH TRIM MODEL	SHAPE	REFLECTOR FINISH	FLANGE
<input checked="" type="checkbox"/> 6023	<input checked="" type="checkbox"/> R Round	<input type="checkbox"/> BK Black (Painted) <input type="checkbox"/> WH White (Painted) <input type="checkbox"/> CST Custom	<input checked="" type="checkbox"/> NF No Flange (i.e., flangeless)



Mud ring included.