



FEATURES    

## LED LIGHT ENGINE

### WATTS/LUMENS:

15W/1000 lm, 20W/1400 lm, 25W/1700 lm, 30W/2100 lm, and 40W/2800 lm

**CRI:** 91 (Upgrade to 97 CRI [R9=90] available via special/custom order. See Optional section below.)

**CCT:** 2700K, 3000K, 3500K, or 4000K

**BINNING:** 3 SDCM

**THERMAL MANAGEMENT:** Passive

**LIFE (RATED):** 50,000 hours based on LED testing per LM80-08 and projected values from IESNA TM21-11.

## LED DRIVER

**OUTPUT POWER SUPPLY:** Class II

**POWER FACTOR (P<sub>f</sub>):** >.9

**THD:** <10%

**INPUT VOLTAGE:**

120V/277V at 50/60 Hz (See Voltage Below)

**DIMMING:**

- TRIAC/ELV, 5% (120V AC Only)
- 0-10V, 10% (120V/277V)
- See Dimming below for more options.

## COMPATIBLE TRIMS

**FINISH/COLORS/TRIM:**

- See Compatible Trim Specification Sheets
  - 6023 Series
  - 6026 Series
- 6024 Series
- 6028 Series

## INSTALLATION

### CEILING:

- Accommodates Up to 11/4" Thickness
- Non-Type IC Insulation to Be Kept 3" Away
- 4 1/4" Ceiling Cutout Size
- Maintenance Access from Above and Below Ceiling

**MOUNTING:** Integral Mounting Clips Secures Unit to Ceiling

### J-BOX WIRING:


Integral Thru-Branch, 4 In/4 Out

## EMERGENCY BACKUP BATTERY

### BATTERY LED LOAD:

- Up to 7 Watts at 600 Lumens Minimum for 90 Minutes
- Up to 20 Watts at 1750 Lumens Minimum for 90 Minutes
- Remote Test Switch Included

## COMPLIANCES/WARRANTY

-  **cETLus LISTED**
-  **FCC COMPLIANT**
-  **5-YEAR LIMITED WARRANTY\***
-  **RoHS COMPLIANT**
-  **SUITABLE FOR DAMP LOCATIONS\*\***
-  **LED**
-  **RECESSED DOWNLIGHT**

\* Excessive heat due to hot installation location will lead to early failures and such damage is not warranted.

\*\* Suitable for showers and exterior use only when using a properly installed wet location trim. Bug and/or dust intrusion can lead to early LED failures. Damp and wet location ratings do not mean water proof. Only mount downlight fixtures in cavity protected from water intrusion. If used outdoors, seal the trim piece with latex sealant to block insect intrusion. If insects can get into ceiling cavity, consider using a Type IC downlight fixture.

Catalog #:

Type:

Project:

Prepared By:

## AT A GLANCE

4" vertical, fixed-position LED recessed remodel downlight. High-performance, specification-grade remodel ideal for numerous applications such as retail and hospitality. Features up to 2800 delivered lumens, a variety of color temperature options (2700K, 3000K, 3500K, and 4000K), multiple beam angles (18°, 24°, 36°, or 60°), and two standard dimming options (flicker-free TRIAC/ELV, 5% and 0-10V dimming, 10%). Trims available in round or square apertures.

## OPTICS

**BEAM ANGLES:** 18°, 24°, 36°, or 60°

## ORDER CONFIGURATOR

To order, select one option from each table column to configure the desired recessed downlight product catalog code. Then, fill in the boxes below (e.g., Remodel Downlight #: RL4VR-35-17-60-LUTEKO-NC-2). To order trims, use the corresponding specification sheet(s) for the desired compatible trim series. To order additional items (optional), up to one option from each table column can be selected from the Optional section. Then, fill in the dashed box(es).

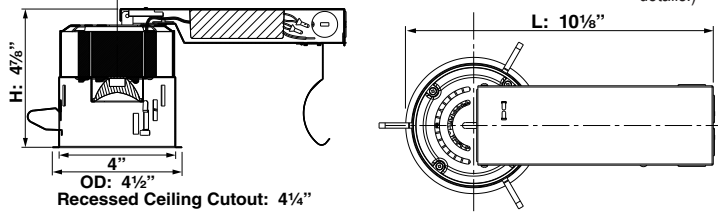
## REMODEL DOWNLIGHT #

|       |  |  |  |  |  |    |  |
|-------|--|--|--|--|--|----|--|
| RL4VR |  |  |  |  |  | NC |  |
|-------|--|--|--|--|--|----|--|

## OPTIONAL

|  |  |  |  |  |  |  |  |
|--|--|--|--|--|--|--|--|
|  |  |  |  |  |  |  |  |
|--|--|--|--|--|--|--|--|

| RD MODEL                                  | CCT  | LUMENS  | OPTICS   | DIMMING  | IC TYPE  | VOLTAGE  | EMERGENCY BATTERY BACKUPS**   | CRI UPGRADE   |
|---|--|---|--|--|--|--|---|---|
| <input checked="" type="checkbox"/> RL4VR | <input type="checkbox"/> 27 2700K<br><input type="checkbox"/> 30 3000K<br><input type="checkbox"/> 35 3500K<br><input type="checkbox"/> 40 4000K | <input type="checkbox"/> 10 1000 lm<br><input type="checkbox"/> 14 1400 lm<br><input type="checkbox"/> 17 1700 lm<br><input type="checkbox"/> 21 2100 lm<br><input type="checkbox"/> 28 2800 lm | <input type="checkbox"/> 18 18°<br><input type="checkbox"/> 24 24°<br><input type="checkbox"/> 36 36°<br><input type="checkbox"/> 60 60° | <input type="checkbox"/> LELV Flicker-Free TRIAC/ELV, 5% (120V Only)<br><input type="checkbox"/> L010 0 to 10V Dimming, 10%<br><input type="checkbox"/> LUTIII Lutron Hi-Lume, 1%<br><input type="checkbox"/> LUTEKO Lutron Ecosystem, 1%<br><input type="checkbox"/> LDALI Dali, 1% | <input checked="" type="checkbox"/> NC Non-Type IC | <input type="checkbox"/> UNV 120V-277V (LELV dimming is 120V only) | <input type="checkbox"/> EMB07 7W<br><input type="checkbox"/> EMB25 25W | <input type="checkbox"/> CRI97 CRI 97; R9=90 (2700K, 3000K and 4000K Only)<br><input type="checkbox"/> VIVID (See Citizen® Vivid™ Series Brilliant Type for details.) |



(\*\*Note: EMB is field installed by electrician. See EMB spec sheet.)

### FEATURES



### DOWNLIGHT/TRIM

#### DESIGN:

Self-Flanged, Two-Piece Construction

#### FINISH/COLORS/TRIM:

Painted (Black or White) or Anodized (Clear, Haze, or Wheat); Painted White Flange Trim

#### PRODUCTION PROCESS:

CNC Precision-Spun

**MATERIAL:** Specification-Grade Aluminum Alloy, .060" Thick

**LENS COVER:** Clear Glass

### COMPATIBILITY

#### RECESSED DOWNLIGHTS:

- RL4V Series
- RL4VR Series
- RL4A Series (this trim limits aiming range of A series)

### COMPLIANCES/WARRANTY

- 5-YEAR LIMITED WARRANTY
- SUITABLE FOR DAMP LOCATIONS
- LED
  - DOWNLIGHT/TRIM



Catalog #:

Type:

Project:

Prepared By:

### AT A GLANCE

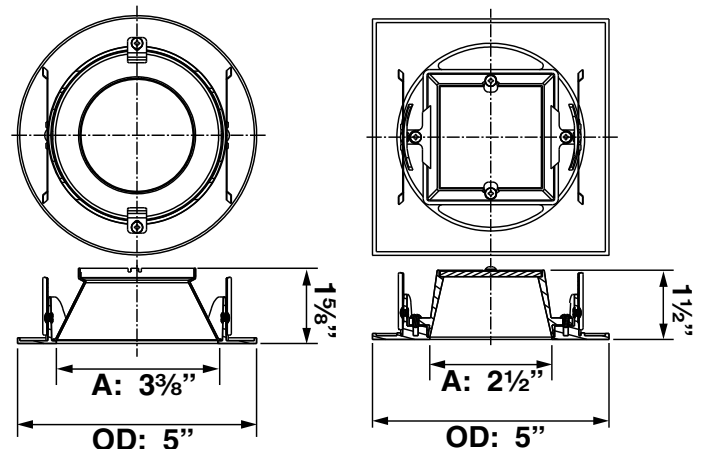
Symmetrical output, downlight style trim series for the RL4, 4" diameter recessed downlights. The trims are available in either round or square apertures as well as an assortment of colors and finishes. Made from die-cast aluminum, the trims can be painted or anodized to meet the needs of the most difficult of applications. The trims are configured for flanged installations.

## ORDER CONFIGURATOR

To order, select one option from each table column to configure the desired downlight/trim product catalog code. Then, fill in the boxes below (e.g., Downlight/Trim #: 6024-R-WH-SW). To order recessed downlights, use the corresponding specification sheet(s) for the desired compatible recessed downlight series.

### DOWNLIGHT/TRIM #

| 6024                                     |   |   | SW  |
|--|---|---|---|
| D/T MODEL                                | SHAPE   | FINISH/COLOR  | FLANGE  |
| <input checked="" type="checkbox"/> 6024 | <input type="checkbox"/> R Round<br><input type="checkbox"/> S Square | <input type="checkbox"/> BK Black (Painted) ( <input checked="" type="checkbox"/> R Round or <input checked="" type="checkbox"/> S Square)<br><input type="checkbox"/> WH White (Painted) ( <input checked="" type="checkbox"/> R Round or <input checked="" type="checkbox"/> S Square)<br><input type="checkbox"/> CL Clear (Anodized) ( <input checked="" type="checkbox"/> R Round Only)<br><input type="checkbox"/> HZ Haze (Anodized) ( <input checked="" type="checkbox"/> R Round Only) | <input checked="" type="checkbox"/> SW Self-Flanged (With Painted White Trim) |



### FEATURES



### SHOWER

#### DESIGN:

Self-Flanged, Two-Piece Construction

#### FINISH/COLORS/TRIM:

Painted (Black or White) or Anodized (Clear, Haze, or Wheat); Painted White Flange Trim

#### PRODUCTION PROCESS:

CNC Precision-Spun

**MATERIAL:** Specification-Grade Aluminum Alloy, .060" Thick

**LENS COVER:** Sealed and Frosted Glass

### COMPATIBILITY

#### RECESSED DOWNLIGHTS:

- RL4V Series
- RL4VR Series

### COMPLIANCES/WARRANTY

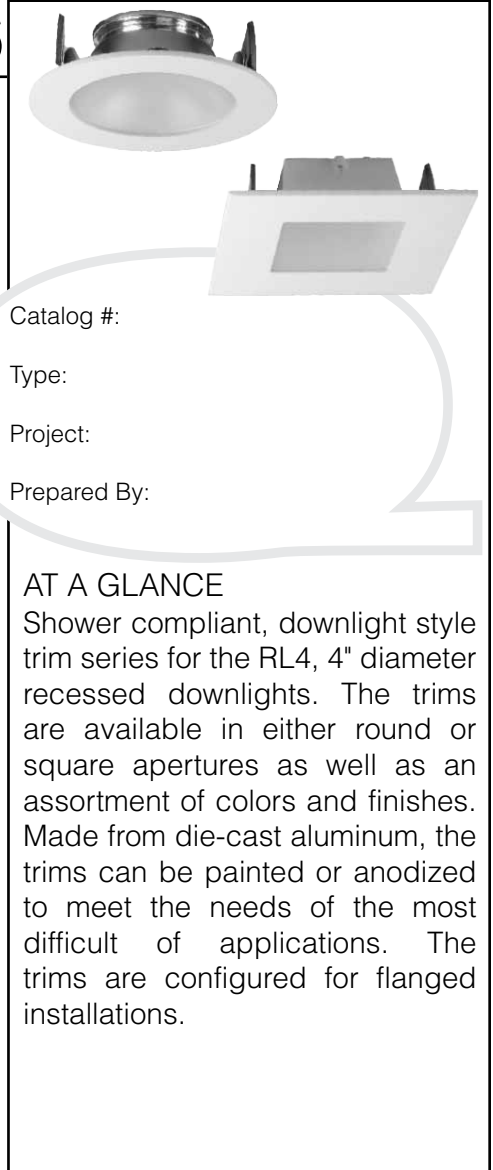
- 5-YEAR LIMITED WARRANTY
- SUITABLE FOR WET LOCATIONS
- LED
  - SHOWER/TRIM

#### NOTES:

The internal reflector (located behind the frosted glass) comes in white only. Combined with the frosted glass, a white reflector helps provide smooth light output.

The ceiling cutout should be 4 inches. Any larger will risk the hole being visible.

Damp and wet location ratings do not mean water proof. Only mount downlight fixtures in cavity protected from water intrusion. Not for use in car wash or similar applications where the exposed trim will be sprayed with force. If used outdoors, seal the trim piece with latex sealant to block insect intrusion. If insects can get into ceiling cavity, use a Type IC downlight fixture.



Catalog #:

Type:

Project:

Prepared By:

#### AT A GLANCE

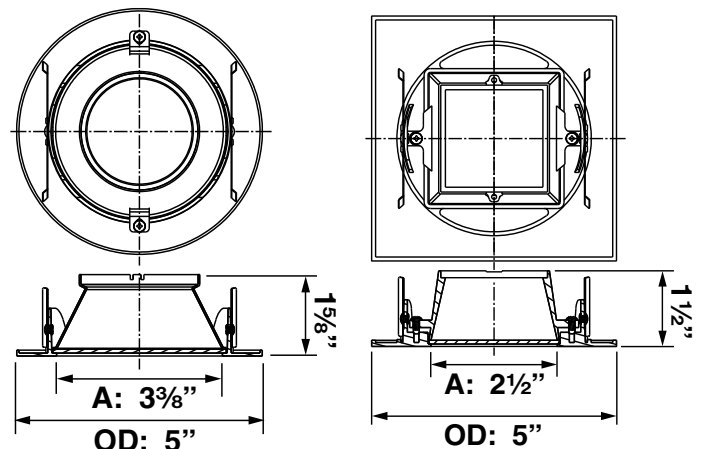
Shower compliant, downlight style trim series for the RL4, 4" diameter recessed downlights. The trims are available in either round or square apertures as well as an assortment of colors and finishes. Made from die-cast aluminum, the trims can be painted or anodized to meet the needs of the most difficult of applications. The trims are configured for flanged installations.

### ORDER CONFIGURATOR

To order, select one option from each table column to configure the desired shower/trim product catalog code. Then, fill in the boxes below (e.g., Shower/Trim #: 6026-R-WH-SW). To order recessed downlights, use the corresponding specification sheet(s) for the desired compatible recessed downlight series.

#### SHOWER/TRIM #

| 6026                                     |   |  | SW  |
|--|---|--|---|
| S/T MODEL                                | SHAPE   | FINISH/COLOR   | FLANGE  |
| <input checked="" type="checkbox"/> 6026 | <input type="checkbox"/> R Round<br><input type="checkbox"/> S Square | <input type="checkbox"/> WH White (Painted) ( <input checked="" type="checkbox"/> R Round or <input checked="" type="checkbox"/> S Square)<br><input type="checkbox"/> WH White (Painted) ( <input checked="" type="checkbox"/> R Round or <input checked="" type="checkbox"/> S Square) | <input checked="" type="checkbox"/> SW Self-Flanged (With Painted White Flange) |





### FEATURES

#### FLANGELESS

**DESIGN:**  
Two-Piece Construction (reflector and a mud ring)

#### REFLECTOR

- FINISHES:**
- Painted
    - Black
    - White
    - Custom Colors (by special order)

**MATERIAL:**  
Die-cast Aluminum

#### MUD RING



Cast Aluminum  
**FINISH:** Painted White

#### COMPATIBILITY

**RECESSED DOWNLIGHTS:**

- RL4V and RL4VR Series

#### WARRANTY

-  5-YEAR LIMITED WARRANTY
-  For use with LED downlights

Catalog #:

Type:

Project:

Prepared By:

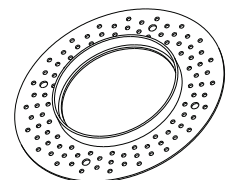
**AT A GLANCE**  
Flangeless downlight trim for the *QuantaLight* RL4V and RL4VR series. Features a 4" round aperture in White or black. Custom colors are available. Made of die-cast aluminum. Mud ring included.

### ORDER CONFIGURATOR

To order, select one option from each table column to configure the desired wall wash trim product catalog code. Then, fill in the boxes below (Example: Flangeless Trim #: 6023-R-WH-FL). To order recessed downlights, use the corresponding specification sheet for the compatible RL3V or RL3VR recessed downlight series.

#### WALL WASH TRIM #

| 6023                                     | R   |   | NF  |
|--|---|---|---|
| WALL WASH TRIM MODEL                     | SHAPE                                       | REFLECTOR FINISH  | FLANGE  |
| <input checked="" type="checkbox"/> 6023 | <input checked="" type="checkbox"/> R Round | <input type="checkbox"/> BK Black (Painted)<br><input type="checkbox"/> WH White (Painted)<br><input type="checkbox"/> CST Custom | <input checked="" type="checkbox"/> NF No Flange (i.e., flangeless) |



Mud ring included.



FEATURES  

## BEVEL

**DESIGN:** Flangeless (Mud Ring Included), Two-Piece Construction

**FINISH/COLORS/TRIM:** Painted (Black or White)

**PRODUCTION PROCESS:** Die-Cast

**MATERIAL:** Die-Cast Aluminum




**LENS COVER:** Clear Glass

## COMPATIBILITY

### RECESSED DOWNLIGHTS:

- RL4A Series
- RL4V Series

## COMPLIANCES/WARRANTY

-  5-YEAR LIMITED WARRANTY
-  SUITABLE FOR DAMP LOCATIONS
-  For use with LED downlights

Catalog #:

Type:

Project:

Prepared By:

### AT A GLANCE

Shallow bevel style downlight trim for the RL4A adjustable 4" diameter recessed downlights. The trims are available in black, white (or custom colors by special order). Made from die-cast aluminum, the trims can be painted to meet your needs. Configured for flangeless installations (mud ring included).

## ORDER CONFIGURATOR

To order, select one option from each table column to configure the desired bevel/trim product catalog code. Then, fill in the boxes below (e.g., Bevel/Trim #: 6028-R-WH-NF). To order recessed downlights, use the corresponding specification sheet(s) for the desired compatible recessed downlight series.

### BEVEL/TRIM #

| 6028                                     |                                  |   | NF  |
|--|----------------------------------|---|---|
| B/T MODEL                                | SHAPE                            | FINISH/COLOR  | FLANGE  |
| <input checked="" type="checkbox"/> 6028 | <input type="checkbox"/> R Round | <input type="checkbox"/> BK Black (Painted)<br><input type="checkbox"/> WH White (Painted)<br><input type="checkbox"/> CST Custom | <input checked="" type="checkbox"/> NF No Flange (Flangeless) |

