



### FEATURES

#### LED LIGHT ENGINE

##### WATTS/LUMENS:

30W/2100 lm, 40W/2800 lm, 50W/3500 lm, 60W/4200 lm, or 80W/5600 lm

**CRI:** 91 (Upgrade to 97 CRI [R9=90] available via special/custom order. See Optional section below.)

**CCT:** 2700K, 3000K, 3500K, or 4000K

**BINNING:** 3 SDCM

**THERMAL MANAGEMENT:** Passive

**LIFE (RATED):** 50,000 hours based on LED testing per LM80-08 and projected values from IESNA TM21-11.

#### LED DRIVER

**OUTPUT POWER SUPPLY:** Class II

**POWER FACTOR (P<sub>f</sub>):** >.9

**THD:** <10%

**INPUT VOLTAGE:**

120V/277V at 50/60 Hz (See Voltage Below)

**DIMMING:**

- TRIAC/ELV, 5% (120V AC Only)
- 0-10V, 10% (120V/277V)
- See Dimming below for more options.

#### COMPATIBLE TRIMS

##### FINISH/COLORS/TRIM:

- See Compatible Trim Specification Sheets
  - 6041 Series
  - 6043 Series

#### OPTICS

**BEAM ANGLES:** 18°, 24°, 38°, or 60°

#### INSTALLATION

##### CEILING:

- Accommodates Up to 11/4" Thickness
- Non-Type IC Insulation to Be Kept 3" Away
- 6 3/8" Ceiling Cutout Size
- Maintenance Access from Above and Below Ceiling

**MOUNTING:** Integral Mounting Clips Secures Unit to Ceiling

##### J-BOX WIRING:

Integral Thru-Branch, 4 In/4 Out

#### OPTIONAL BACKUP BATTERY

##### BATTERY LED LOAD:

- Up to 7 Watts at 600 Lumens Minimum for 90 Minutes
- Up to 20 Watts at 1750 Lumens Minimum for 90 Minutes

#### COMPLIANCES/WARRANTY

- Ⓢ cETLus LISTED
- Ⓢ FCC COMPLIANT
- Ⓢ 5-YEAR LIMITED WARRANTY\*
- Ⓢ RoHS COMPLIANT
- Ⓢ SUITABLE FOR DAMP LOCATIONS\*\*
- Ⓢ LED
- Ⓢ RECESSED DOWNLIGHT

\* Excessive heat due to hot installation location will lead to early failures and such damage is not warranted.

\*\* Suitable for showers and exterior use only when using a properly installed wet location trim. Bug and/or dust intrusion can lead to early LED failures. Damp and wet location ratings do not mean water proof. Only mount downlight fixtures in cavity protected from water intrusion. If used outdoors, seal the trim piece with latex sealant to block insect intrusion. If insects can get into ceiling cavity, consider using a Type IC downlight fixture.



Catalog #:

Type:

Project:

Prepared By:

#### AT A GLANCE

6" vertical, fixed-position LED recessed remodel downlight. High-performance, specification-grade remodel ideal for numerous applications such as retail and hospitality. Features up to 5800 delivered lumens, a variety of color temperature options (2700K, 3000K, 3500K, and 4000K), multiple beam angles (18°, 24°, 38°, or 60°), and two standard dimming options (flicker-free TRIAC/ELV, 5% and 0-10V dimming, 10%). Trims available in round or square apertures.

## ORDER CONFIGURATOR

To order, select one option from each table column to configure the desired recessed downlight product catalog code. Then, fill in the boxes below (e.g., Remodel Downlight #: RL6VR-35-28-60-LUTEKO-NC-2). To order trims, use the corresponding specification sheet(s) for the desired compatible trim series. To order additional items (optional), up to one option from each table column can be selected from the Optional section. Then, fill in the dashed box(es).

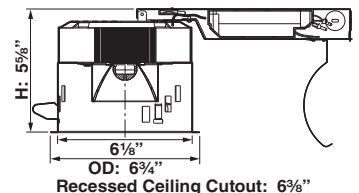
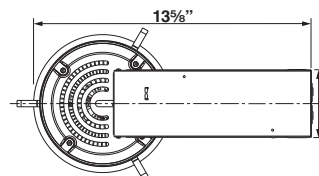
### REMODEL DOWNLIGHT #

RL6VR					NC	UNV
RD MODEL	CCT	LUMENS	OPTICS	DIMMING	IC TYPE	VOLTAGE
<input checked="" type="checkbox"/> RL6VR	<input type="checkbox"/> 27 2700K <input type="checkbox"/> 30 3000K <input type="checkbox"/> 35 3500K <input type="checkbox"/> 40 4000K	<input type="checkbox"/> 21 2100 lm <input type="checkbox"/> 28 2800 lm <input type="checkbox"/> 35 3500 lm <input type="checkbox"/> 42 4200 lm <input type="checkbox"/> 56 5600 lm	<input type="checkbox"/> 18 18° <input type="checkbox"/> 24 24° <input type="checkbox"/> 38 38° <input type="checkbox"/> 60 60°	<input type="checkbox"/> LELV Flicker-Free TRIAC/ELV, 5% (120V Only) <input type="checkbox"/> L010 0 to 10V Dimming, 10% <input type="checkbox"/> LUTIII Lutron Hi-Lume, 1% <input type="checkbox"/> LUTEKO Lutron Ecosystem, 1% <input type="checkbox"/> LDALI Dali, 1%	<input checked="" type="checkbox"/> NC Non-Type IC	<input checked="" type="checkbox"/> UNV (120-277V)

### OPTIONAL

EMERGENCY BATTERY BACKUPS	CRI UPGRADE
<input type="checkbox"/> EMB07 7W <input type="checkbox"/> EMB20 20W	<input type="checkbox"/> CRI97 CRI 97; R9=90 (2700K, 3000K and 4000K Only) <input type="checkbox"/> VIVID (See Citizen® Vivid™ Series Brilliant Type for details.)

### QUICK VIEW



FEATURES



**DOWNLIGHT/TRIM**

**DESIGN:**

Self-Flanged, Two-Piece Construction

**FINISH/COLORS/TRIM:**

Painted (Black or White) or Anodized (Clear, Haze, or Wheat); Painted White Flange Trim

**PRODUCTION PROCESS:**

CNC Precision-Spun

**MATERIAL:** Specification-Grade Aluminum Alloy, .060" Thick

**LENS COVER:** Clear Glass

**COMPATIBILITY**

**RECESSED DOWNLIGHTS:**

- RL6A Series
- RL6V Series
- RL6VR Series

**COMPLIANCES/WARRANTY**

**5-YEAR LIMITED WARRANTY**

**SUITABLE FOR DAMP LOCATIONS**

**LED**

- **DOWNLIGHT/TRIM**



Catalog #:

Type:

Project:

Prepared By:

**AT A GLANCE**

Symmetrical output, downlight style trim series for the RL6, 6" diameter recessed downlights. The trims are available in either round or square apertures as well as an assortment of colors and finishes. Made from die-cast aluminum, the trims can be painted or anodized to meet the needs of the most difficult of applications. The trims are configured for flanged installations.

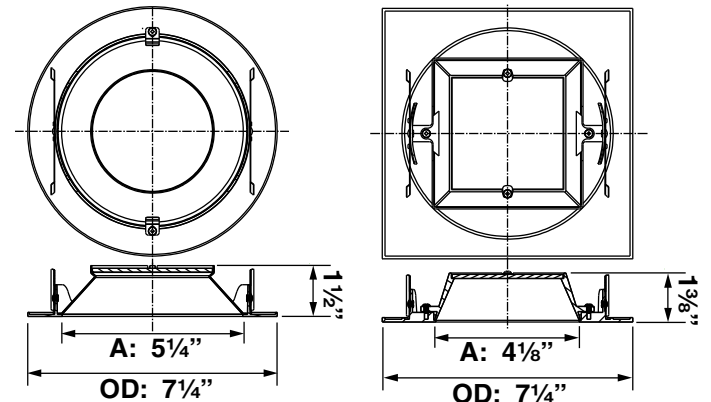
**ORDER CONFIGURATOR**

To order, select one option from each table column to configure the desired downlight/trim product catalog code. Then, fill in the boxes below (e.g., Downlight/Trim #: 6041-R-WH-SW). To order recessed downlights, use the corresponding specification sheet(s) for the desired compatible recessed downlight series.

**DOWNLIGHT/TRIM #**

<b>6041</b>			<b>SW</b>
<b>D/T MODEL</b>	<b>SHAPE</b>	<b>FINISH/COLOR</b>	<b>FLANGE</b>
<input checked="" type="checkbox"/> 6041	<input type="checkbox"/> R Round <input type="checkbox"/> S Square	<input type="checkbox"/> BK Black (Painted) ( <input checked="" type="checkbox"/> R Round or <input checked="" type="checkbox"/> S Square) <input type="checkbox"/> WH White (Painted) ( <input checked="" type="checkbox"/> R Round or <input checked="" type="checkbox"/> S Square) <input type="checkbox"/> CL Clear (Anodized) ( <input checked="" type="checkbox"/> R Round Only) <input type="checkbox"/> HZ Haze (Anodized) ( <input checked="" type="checkbox"/> R Round Only)	<input checked="" type="checkbox"/> SW Self-Flanged (With Painted White Trim)

**QUICK VIEW**



FEATURES



**SHOWER** LED

**DESIGN:**

Self-Flanged, Two-Piece Construction

**FINISH/COLORS/TRIM:**

Painted (Black or White) or Anodized (Clear, or Haze); Painted White Flange Trim

**PRODUCTION PROCESS:**

CNC Precision-Spun

**MATERIAL:** Specification-Grade Aluminum Alloy, .060" Thick

**LENS COVER:** Sealed and Frosted Glass

**COMPATIBILITY**

**RECESSED DOWNLIGHTS:**

- RL6A Series
- RL6V Series
- RL6VR Series

**COMPLIANCES/WARRANTY**

**5-YEAR LIMITED WARRANTY**

**SUITABLE FOR WET LOCATIONS**

**LED**

- **SHOWER/TRIM**

NOTES:

The internal reflector (located behind the frosted glass) comes in white only. Combined with the frosted glass, a white reflector helps provide smooth light output.

The ceiling cutout should be 6 3/8 inches. Any larger will risk the hole being visible.

Damp and wet location ratings do not mean water proof. Only mount downlight fixtures in cavity protected from water intrusion. Not for use in car wash or similar applications where the exposed trim will be sprayed with force. If used outdoors, seal the trim piece with latex sealant to block insect intrusion. If insects can get into ceiling cavity, use a Type IC downlight fixture.



Catalog #:

Type:

Project:

Prepared By:

**AT A GLANCE**

Shower compliant, downlight style trim series for the RL6, 6" diameter recessed downlights. The trims are available in either round or square apertures as well as an assortment of colors and finishes. Made from die-cast aluminum, the trims can be painted or anodized to meet the needs of the most difficult of applications. The trims are configured for flanged installations.

**ORDER CONFIGURATOR**

To order, select one option from each table column to configure the desired shower/trim product catalog code. Then, fill in the boxes below (e.g., Shower/Trim #: 6043-S-WH-SW). To order recessed downlights, use the corresponding specification sheet(s) for the desired compatible recessed downlight series.

**SHOWER/TRIM #**

<b>6043</b>			<b>SW</b>
<b>S/T MODEL</b>	<b>SHAPE</b>	<b>FINISH/COLOR</b>	<b>FLANGE</b>
<input checked="" type="checkbox"/> 6043	<input type="checkbox"/> R Round <input type="checkbox"/> S Square	<input type="checkbox"/> BK Black (Painted) ( <input checked="" type="checkbox"/> R Round or <input checked="" type="checkbox"/> S Square) <input type="checkbox"/> WH White (Painted) ( <input checked="" type="checkbox"/> R Round or <input checked="" type="checkbox"/> S Square) <input type="checkbox"/> CL Clear (Anodized) ( <input checked="" type="checkbox"/> R Round Only) <input type="checkbox"/> HZ Haze (Anodized) ( <input checked="" type="checkbox"/> R Round Only)	<input checked="" type="checkbox"/> SW Self-Flanged (With Painted White Trim)

**QUICK VIEW**

