

FEATURES     

LED LIGHT ENGINE

WATTS/LUMENS:

80W/9,400 lm, 100W/11,700 lm, 120W/15,600 lm

CRI/CCT:

80/4000K

BINNING: 3 SDCM

THERMAL MANAGEMENT: Passive

LIFE (RATED): 50,000 hours based on LED testing per LM80-08 and projected values from IESNA TM21-11.

LED DRIVER

OUTPUT POWER SUPPLY: Class II

POWER FACTOR (Pf): ≥0.90

THD: <20%

INPUT VOLTAGE: 120V/277V at 50/60 Hz

DIMMING: No

OPERATING TEMP.: -30°C to +45°C

INSTALLATION

MOUNTING:

Surface Mounting

- Three holes for mounting.

Back Panel

- Removable plug for feed through.

Side Panels

- Removable plugs for feed through.

COMPLIANCES/WARRANTY

 cETLus LISTED

 FCC COMPLIANT

 5-YEAR LIMITED WARRANTY

 COMPLIANT

 IP65; SUITABLE FOR OUTDOORS

 ENERGY-EFFICIENT

 LED

OPTICS

BEAM ANGLE: 120°

LENS

DISTRIBUTION:  Flood; 120° x 120°

DESIGN: One Piece; Fluted

COLOR: Clear

MATERIAL: Polycarbonate

BODY CONSTRUCTION

Die-cast Aluminum with Dark Bronze finish.

FEATURES

Dusk to dawn photocell.



Catalog #:

Type:

Project:

Prepared By:

AT A GLANCE

Features a powder coated, die cast aluminum body and dusk-to-dawn photocell. Reflector optics of 120°. Fluted optic design reduces glare and allows for smooth light output.

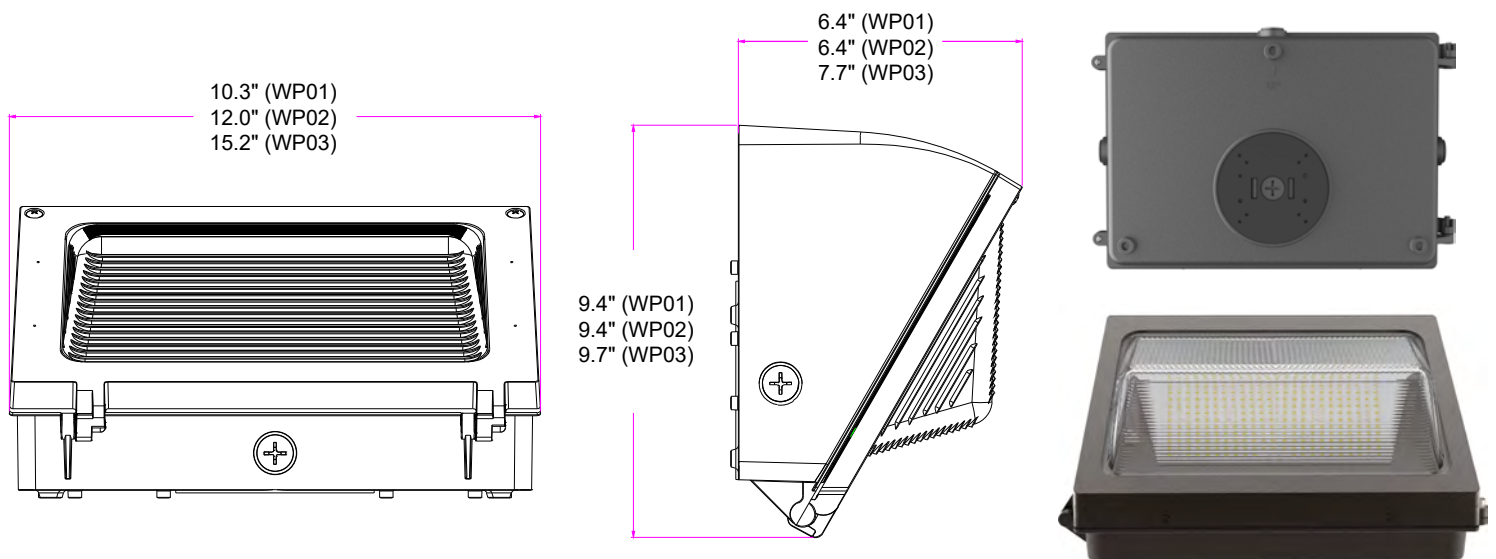
ORDER CONFIGURATOR To order, select one of two fixture versions from the list below (example: #: WP01-40-10-12-BZ-PC).

MODELS

WP01-40-10-12-BZ-PC: 9,400 lumens; 4,000K / 80CRI; 80 watts; 120-277V; 10.3" W x 9.4" H x 6.4" Depth

WP02-40-13-12-BZ-PC: 11,700 lumens; 4,000K / 80CRI; 100 watts; 120-277V; 12.0" W x 9.4" H x 6.4" Depth

WP03-40-15-12-BZ-PC: 15,600 lumens; 4,000K / 80CRI; 120 watts; 120-277V; 15.2" W x 9.7" H x 7.7" Depth



Note: Hinge location is on bottom for WP01 and WP02, and on side for WP03.