

## LED LIGHT ENGINE

### WATTS/LUMENS:

- **TL116:** 6W/470 lm
- **TL120:** 9W/790 lm
- **TL130:** 12W/1000 lm
- **TL138:** 18W/1500 lm

**CR/CCCT:** 80/3000K

**BINNING:** 3 SDCM

**THERMAL MANAGEMENT:** Passive

### LIFE (RATED):

50,000 hours based on LED testing per LM80-08 and projected values from IESNA TM21-11.

## OPTICS

**BEAM ANGLES:** 30°

**ADJUSTABLE/HORIZONTAL**

**AIMING:** Up to 90° tilt from vertical axis and up to 355° rotation around vertical axis.

### DESIGN:

Unique Integral Construction

**FINISH/COLORS:** Anodized (Clear)

**PRODUCTION PROCESS:**

CNC Precision-Spun

**MATERIAL:** Specification-Grade Aluminum Alloy, .060" Thick

## CONSTRUCTION

### HOUSING:

Die-Formed Fabrication

### FINISH/COLORS:

- Powdercoat Paint Colors (3)
  - Black (BK)
  - White (WH)
  - Silver Gray (SL)

## INSTALLATION

### MOUNTING:

- Mounts to 120V AC *QuantaLight* Track Systems
  - TSQ1: 1-Circuit/1-Neutral (1C1N)
  - TSQ2: 2-Circuit/1-Neutral (2C1N)
- Mounts to 1-Circuit or 2-Circuit Track System Platforms

**ADAPTERS:** Listed Components

## LED DRIVER

**OUTPUT POWER SUPPLY:** Class II

**POWER FACTOR (Pf):** >.9


**THD:** <20%

**INPUT VOLTAGE:** 120V at 50/60 Hz (System Adapter Dependant)

**DIMMING:** TRIAC/ELV 5% dimmable on the input primary, line-side circuit of the track system. Consult dimmer manufacturer for compatibility and conditions of use.

## COMPLIANCES/WARRANTY

 cETLus LISTED

 ENERGY STAR (CONSULT FACTORY)

 FCC COMPLIANT

 5-YEAR LIMITED WARRANTY

 RoHS COMPLIANT

 ENERGY-EFFICIENT

 LED

 DRY LOCATIONS ONLY

**TRACK HEAD MODEL**  TL130

**TRACK ADAPTER**  Q2 1C1N & 2C1N (120V)

**CCT**  30 3000K

**LUMENS**  10 1000 lm

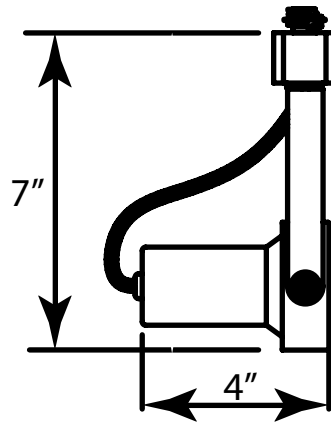
**OPTICS**  30 30°

**FINISH**  5 Black (Painted)

6 White (Painted)

20 Silver Gray (Painted)

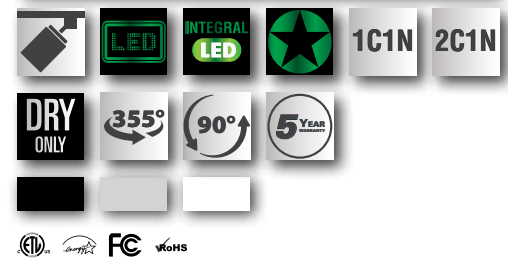
## QUICK VIEW



# TL130/TL138

LED TRACK HEADS

## TL130



**TRACK HEAD MODEL**  TL138

**TRACK ADAPTER**  Q2 1C1N & 2C1N (120V)

**CCT**  30 3000K

**LUMENS**  15 1500 lm

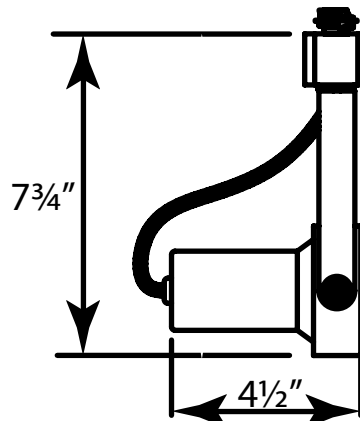
**OPTICS**  30 30°

**FINISH**  5 Black (Painted)

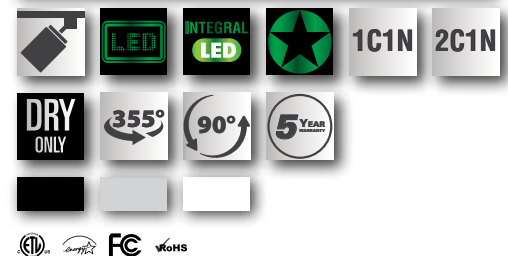
6 White (Painted)

20 Silver Gray (Painted)

## QUICK VIEW



## TL138



QWICK COMMERCIAL | TRACK | TRACK LUMINAIRES | TRACK HEADS | LED | TL 116 Series (Continued)

**LED LIGHT ENGINE**

**WATTS/LUMENS:**

- **TL116:** 6W/470 lm
- **TL120:** 9W/790 lm
- **TL130:** 12W/1000 lm
- **TL138:** 18W/1500 lm

**CR/CCT:** 80/3000K

**BINNING:** 3 SDCM

**THERMAL MANAGEMENT:** Passive

**LIFE (RATED):**

50,000 hours based on LED testing per LM80-08 and projected values from IESNA TM21-11.

**OPTICS**

**BEAM ANGLES:** 30°

**ADJUSTABLE/HORIZONTAL**

**AIMING:** Up to 90° tilt from vertical axis and up to 355° rotation around vertical axis.

**DESIGN:**

Unique Integral Construction

**FINISH/COLORS:** Anodized (Clear)

**PRODUCTION PROCESS:**

CNC Precision-Spun

**MATERIAL:** Specification-Grade Aluminum Alloy, .060" Thick

**CONSTRUCTION**

**HOUSING:**

Die-Formed Fabrication

**FINISH/COLORS:**

- Powdercoat Paint Colors (3)
  - Black (BK)
  - White (WH)
  - Silver Gray (SL)

**INSTALLATION**

**MOUNTING:**

- Mounts to 120V AC *QuantaLight* Track Systems
  - TSQ1: 1-Circuit/1-Neutral (1C1N)
  - TSQ2: 2-Circuit/1-Neutral (2C1N)
- Mounts to 1-Circuit or 2-Circuit Track System Platforms

**LED DRIVER**

**OUTPUT POWER SUPPLY:** Class II

**POWER FACTOR (P<sub>f</sub>):** >.9

**THD:** <20%

**INPUT VOLTAGE:** 120V at 50/60 Hz (System Adapter Dependant)

**DIMMING:** TRIAC/ELV 5% dimmable on the input primary, line-side circuit of the track system. Consult dimmer manufacturer for compatibility and conditions of use.

**COMPLIANCES/WARRANTY**

**cETLus LISTED**  
**ENERGY STAR (CONSULT FACTORY)**

**FCC COMPLIANT**  
**5-YEAR LIMITED WARRANTY**

**RoHS COMPLIANT**  
**ENERGY-EFFICIENT**

**LED**  
**DRY LOCATIONS ONLY**

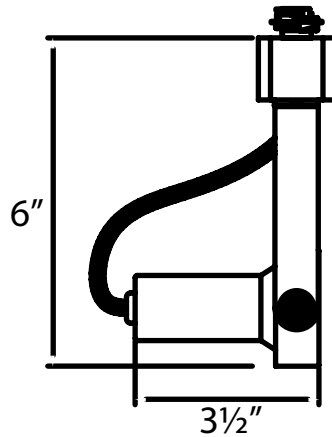
**TL116/TL120**

**LED TRACK HEADS**

**TL116**

- TRACK HEAD MODEL**  TL116
- TRACK ADAPTER**  Q2 1C1N & 2C1N (120V)
- CCT**  30 3000K
- LUMENS**  05 470 lm
- OPTICS**  30 30°
- FINISH**
- 5 Black (Painted)
  - 6 White (Painted)
  - 20 Silver Gray (Painted)

**QUICK VIEW**

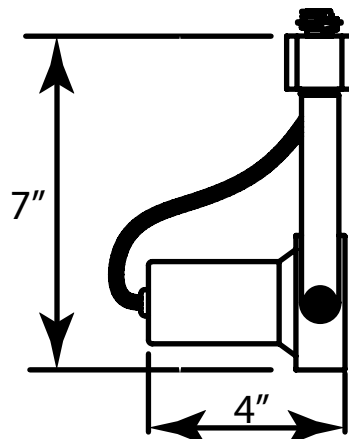


1C1N 2C1N  
 355° 90° 5 YEAR

**TL120**

- TRACK HEAD MODEL**  TL120
- TRACK ADAPTER**  Q2 1C1N & 2C1N (120V)
- CCT**  30 3000K
- LUMENS**  08 790 lm
- OPTICS**  30 30°
- FINISH**
- 5 Black (Painted)
  - 6 White (Painted)
  - 20 Silver Gray (Painted)

**QUICK VIEW**



1C1N 2C1N  
 355° 90° 5 YEAR