


FEATURES       **DRY ONLY**

LED LIGHT ENGINE 
WATTS/LUMENS: 39W/3000 lm
CRI/CCT: 80/(2700K, 3000K, or 4000K)
BINNING: 3 SDCM
THERMAL MANAGEMENT: Passive
LIFE (RATED): 50,000 hours based on LED testing per LM80-08 and projected values from IESNA TM21-11.

OPTICS
BEAM ANGLES: 15°, 30°, or 50°
ADJUSTABLE/HORIZONTAL AIMING: Up to 90° tilt from vertical axis and up to 355° rotation around vertical axis. 180° horizontal aiming in lowest position.
DESIGN: Unique Integral Construction
FINISH/COLORS: Anodized (Clear)
PRODUCTION PROCESS: CNC Precision-Spun
MATERIAL: Specification-Grade Aluminum Alloy, .060" Thick

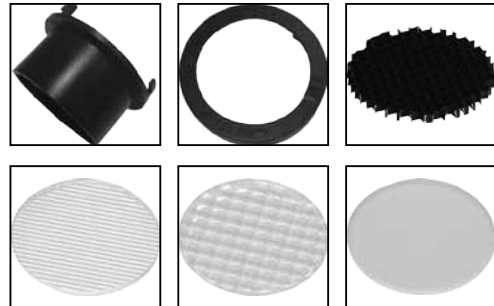

LED DRIVER
OUTPUT POWER SUPPLY: Class II
POWER FACTOR (P_f): >.9
THD: <20%
INPUT VOLTAGE: 120V at 50/60 Hz (System Adapter Dependant)
DIMMING: TRIAC/ELV 5% dimmable on the input primary, circuit of the track system. Consult dimmer manufacturer for compatibility and conditions of use.

CONSTRUCTION
HOUSING: Formed & Welded All-Aluminum
FINISH/COLORS: Powdercoat Paint Color: White (WH)

INSTALLATION
MOUNTING:
 ▪ Mounts to all QuantaLight Track Systems
 - TSQ1: 1-Circuit/1-Neutral (1C1N)
 - TSQ2: 2-Circuit/1-Neutral (2C1N)
 ▪ Mounts to "H" Type Track and Canopies; 1-Circuit or 2-Circuit.

ADAPTERS: Listed Components
COMPLIANCES/WARRANTY
 **cETLus LISTED**
 **FCC COMPLIANT**
 **5-YEAR LIMITED WARRANTY**
 **RoHS COMPLIANT**
 **ENERGY-EFFICIENT**
 **LED**
 **DRY LOCATIONS ONLY**

ACCESSORIES

Catalog #:
 Type:
 Project:
 Prepared By:

AT A GLANCE
 4 3/8" aperture track head incorporating state-of-the-art LED technology. Unique integral reflector design allows for low surface brightness at the fixture aperture, effective light control, and smooth light distribution. These luminaires are well suited for illuminating retail displays.

ORDER CONFIGURATOR

To order, select one option from each table column to configure the desired track head product catalog code. Then, fill in the boxes below (e.g., Track Head #: TL524-TEK100-30-30-50-WH).

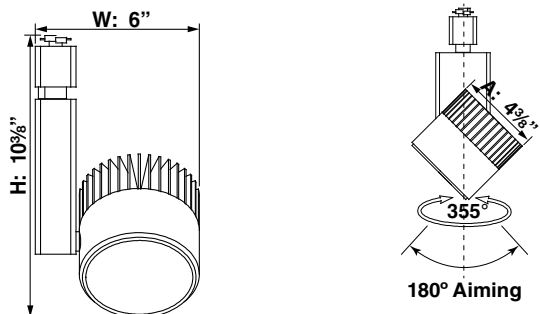
TRACK HEAD #					
TL524			30		WH
TH MODEL	TRACK ADAPTER	CCT	LUMENS	OPTICS	FINISH
<input checked="" type="checkbox"/> TL524	<input type="checkbox"/> Q2 1C1N & 2C1N (120V) Track Adapter	<input type="checkbox"/> 27 2700K <input type="checkbox"/> 30 3000K <input type="checkbox"/> 40 4000K	<input checked="" type="checkbox"/> 30 3000 lm	<input type="checkbox"/> 15 15° <input type="checkbox"/> 30 30° <input type="checkbox"/> 50 50°	<input checked="" type="checkbox"/> WH White (Painted)

OPTIONAL

ACCESSORIES (SOLD SEPARATELY)

CLM Snoot
 CVM Lens Holder
 HCM Honeycomb Louver
 DF1M Beam Elongator
 DF2M Prismatic Lens
 DF3M Soft Focus Lens

QUICK VIEW WITH Q2 ADAPTER



WITH TEK100/HTEK100 ADAPTER

