


FEATURES       

LED LIGHT ENGINE 

WATTS/LUMENS: 11W (300mA)/800 lm
CRI/CCT: 91/(2700K, 3000K, 3500K, or 4000K)
BINNING: 3 SDCM
THERMAL MANAGEMENT: Passive
LIFE (RATED): 50,000 hours based on LED testing per LM80-08 and projected values from IESNA TM21-11.

OPTICS

BEAM ANGLES: 30°
ADJUSTABLE/HORIZONTAL AIMING: Up to 180° tilt from vertical axis and up to 355° rotation around vertical axis.
DESIGN: Unique Integral Construction
FINISH/COLORS: Anodized (Clear)
PRODUCTION PROCESS: CNC Precision-Spun
MATERIAL: Specification-Grade Aluminum Alloy, .060" Thick

CONSTRUCTION

HOUSING: Formed & Welded All-Aluminum
FINISH/COLORS:

- Powdercoat Paint Colors (3)
 - Black (BK)
 - White (WH)
 - Silver Gray (SL)

INSTALLATION

MOUNTING:

- Mounts to all QuantaLight Track Systems
 - TSQ1: 1-Circuit/1-Neutral (1C1N)
 - TSQ2: 2-Circuit/1-Neutral (2C1N)
- Mounts to "H" Type Track and Canopies; 1-Circuit or 2-Circuit.

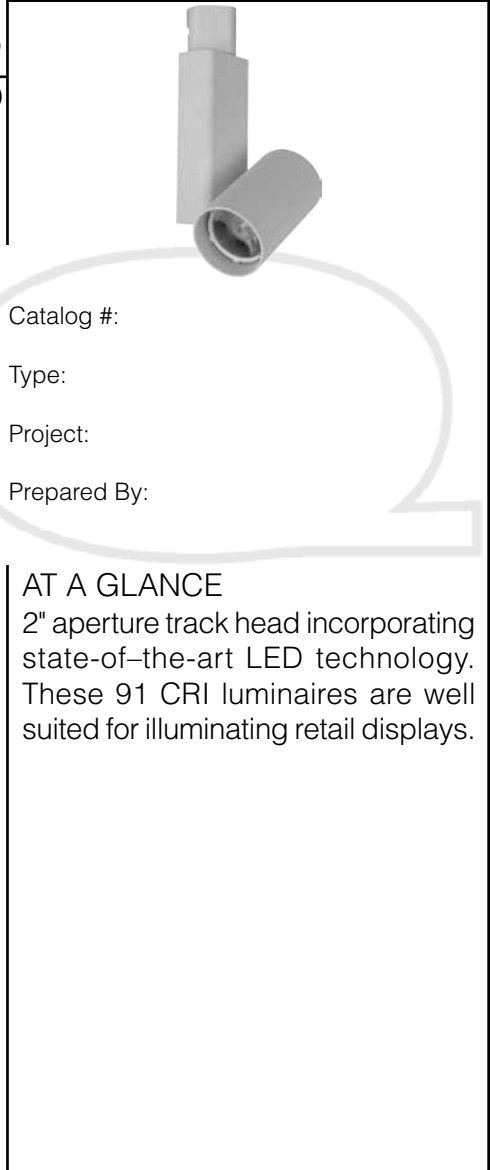
ADAPTERS: Listed Components

LED DRIVER

OUTPUT POWER SUPPLY: Class I
POWER FACTOR (Pf): >.9
THD: <20%
INPUT VOLTAGE: 120V at 50/60 Hz (System Adapter Dependant)
DIMMING: TRIAC/ELV 5% dimmable on the input primary, circuit of the track system. Consult dimmer manufacturer for compatibility and conditions of use.

COMPLIANCES/WARRANTY

 **cETLus LISTED**
 **FCC COMPLIANT**
 **5-YEAR LIMITED WARRANTY**
 **RoHS COMPLIANT**
 **ENERGY-EFFICIENT**
 **LED**
 **DRY LOCATIONS ONLY**

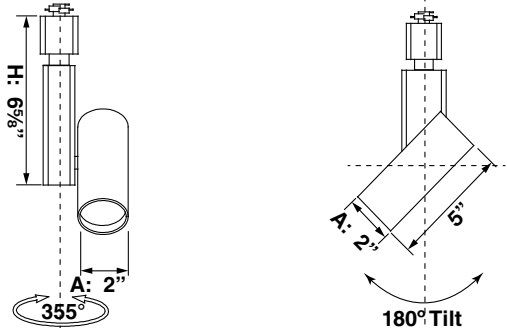


ORDER CONFIGURATOR

To order, select one option from each table column to configure the desired track head product catalog code. Then, fill in the boxes below (e.g., Track Head #: TL605-TEK100-30-08-30-WH).

TRACK HEAD #					
TL605			08	30	
TH MODEL	TRACK ADAPTER	COLOR TEMPERATURE	LUMENS	OPTICS	FINISH
<input checked="" type="checkbox"/> TL605	<input type="checkbox"/> Q2 1C1N & 2C1N (120V) Track Adapter	<input type="checkbox"/> 27 2700K <input type="checkbox"/> 30 3000K <input type="checkbox"/> 35 3500K <input type="checkbox"/> 40 4000K	<input checked="" type="checkbox"/> 08 800 lm	<input checked="" type="checkbox"/> 30 30°	<input type="checkbox"/> BK Black <input type="checkbox"/> WH White <input type="checkbox"/> SL Silver Gray

QUICK VIEW WITH Q2 ADAPTER



WITH TEK100/HTEK100 ADAPTER

